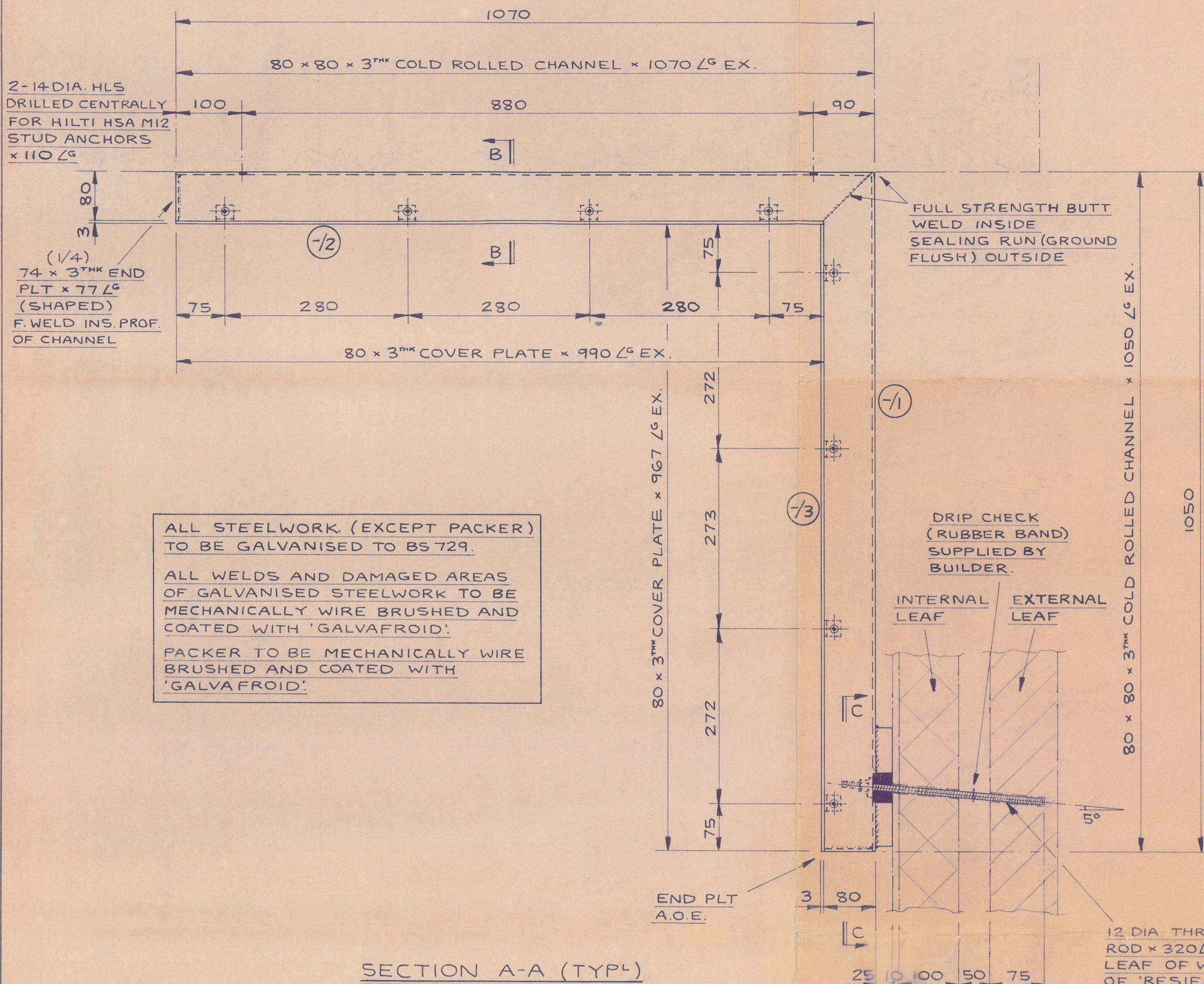
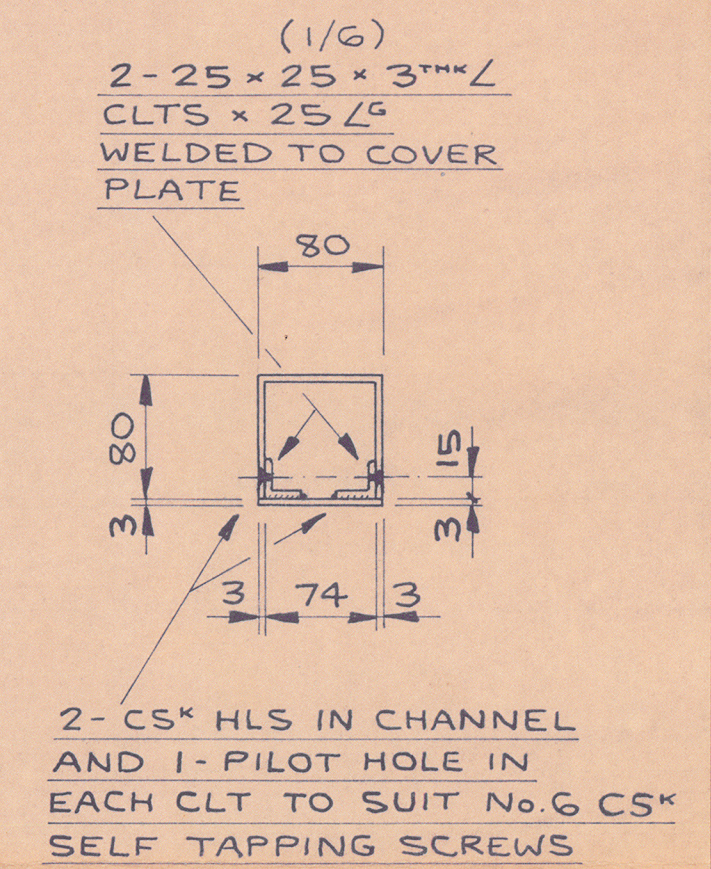


ELEVATION AT SOUTH WALL

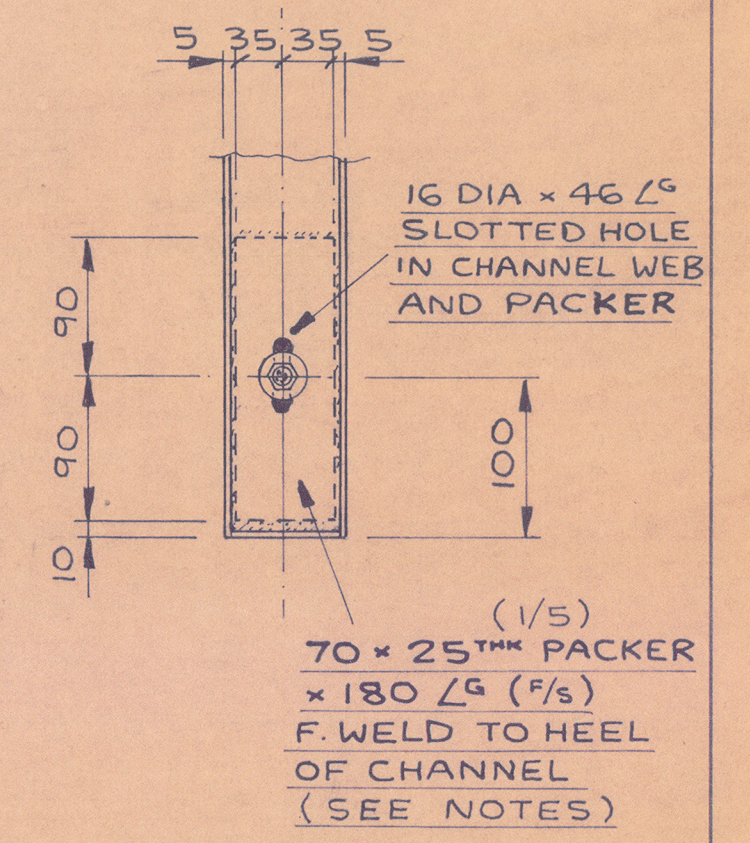


SECTION A-A (TYP)

8-FRAMES REQ AS DRAWN MK 1/-



SECTION B-B (TYP)



SECTION C-C

ALL STEELWORK (EXCEPT PACKER) TO BE GALVANISED TO BS 729.  
 ALL WELDS AND DAMAGED AREAS OF GALVANISED STEELWORK TO BE MECHANICALLY WIRE BRUSHED AND COATED WITH 'GALVAFROID'.  
 PACKER TO BE MECHANICALLY WIRE BRUSHED AND COATED WITH 'GALVAFROID'.

FULL STRENGTH BUTT WELD INSIDE SEALING RUN (GROUND FLUSH) OUTSIDE

DRIP CHECK (RUBBER BAND) SUPPLIED BY BUILDER.

INTERNAL LEAF EXTERNAL LEAF

12 DIA. THREADED STAINLESS STEEL ROD x 320 Lg, FIXED TO EXTERNAL LEAF OF WALL BY INJECTION OF 'RESIFIX 3P' RESIN. STANDARD 5° TAPERED WASHER AND NUT SUPPLIED WITH ROD. NUT TO BE HARD-TIGHTENED WHEN FRAME IS IN POSITION.

FABRICATED BY				PAINTING:  SEE NOTES ABOVE	UNLESS OTHERWISE NOTED		SHOP BOLTS THUS		CLASSIFICATION				
SECTION LEADER	DRAWN BY	A. LYLE	RIVS. DIA.		BOLTS DIA.	HLS. DIA.	AS NOTED	SHOP BOLTS CSK. NEAR SIDE	SHOP BOLTS CSK. FAR SIDE	C			
CHECKED BY	DATE	MARCH '86	SHOP RIVETS THUS		SHOP RIVETS CSK. NEAR SIDE	SHOP RIVETS CSK. FAR SIDE	OPEN HOLES THUS	OPEN HOLES CSK. NEAR SIDE	OPEN HOLES CSK. FAR SIDE	B			
<b>ROSEHALL FABRICATIONS LTD.</b> STRUCTURAL ENGINEERS 9/11 PALACECRAIG STREET, SHAWHEAD, COATBRIDGE ML5 4FS.				<b>CUMBERNAULD DEVELOPMENT CORPORATION</b> <u>TOWN CENTRE IMPROVEMENTS</u> DETAILS OF FRAMES REQ AS DRAWN MK 1/- AT SCAN BOOKSHOP (LEVEL C)				REV. DATE ALTERATION JOB No. BMS 85/53 M DRG. No. 1		A			