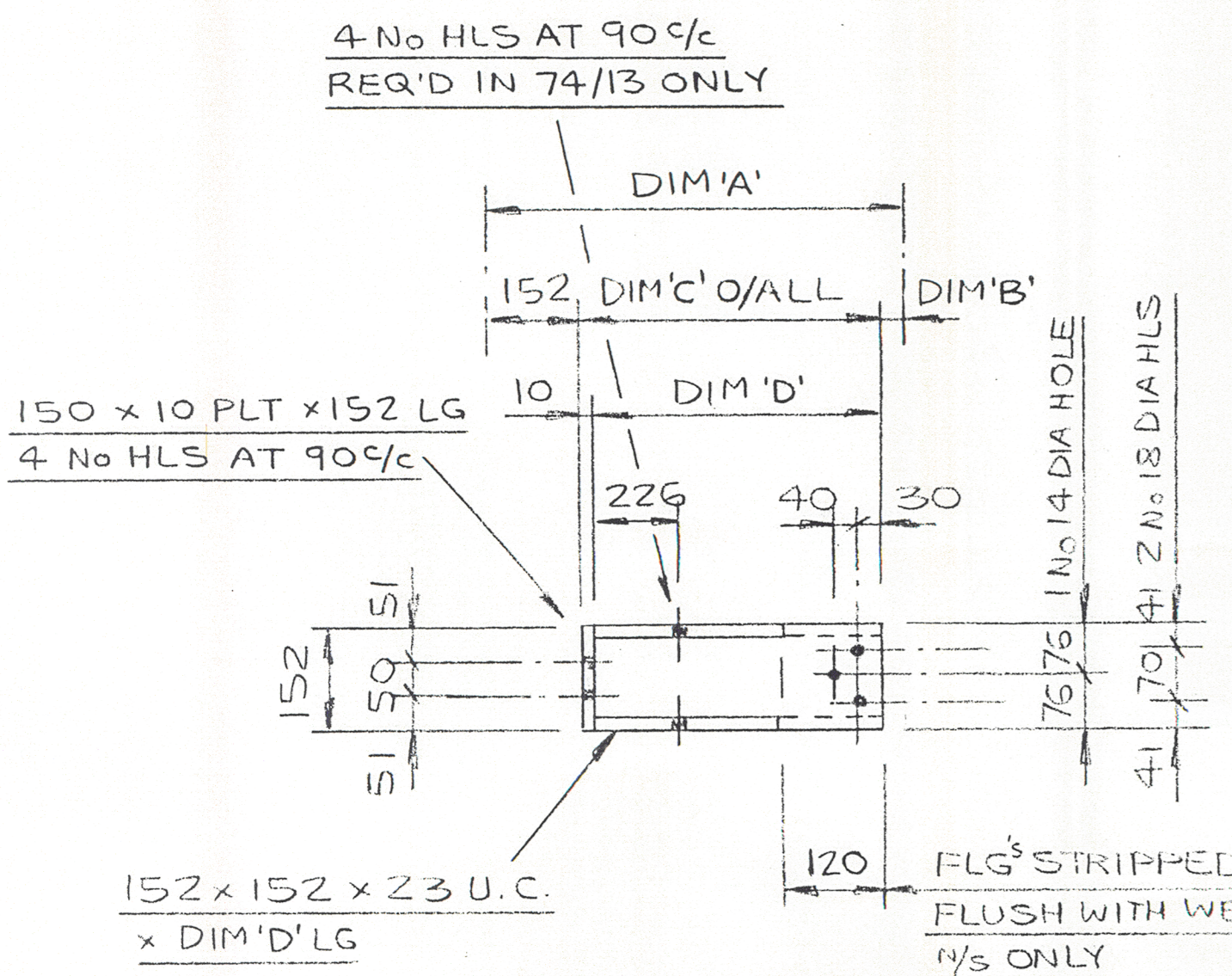


**NOTES**

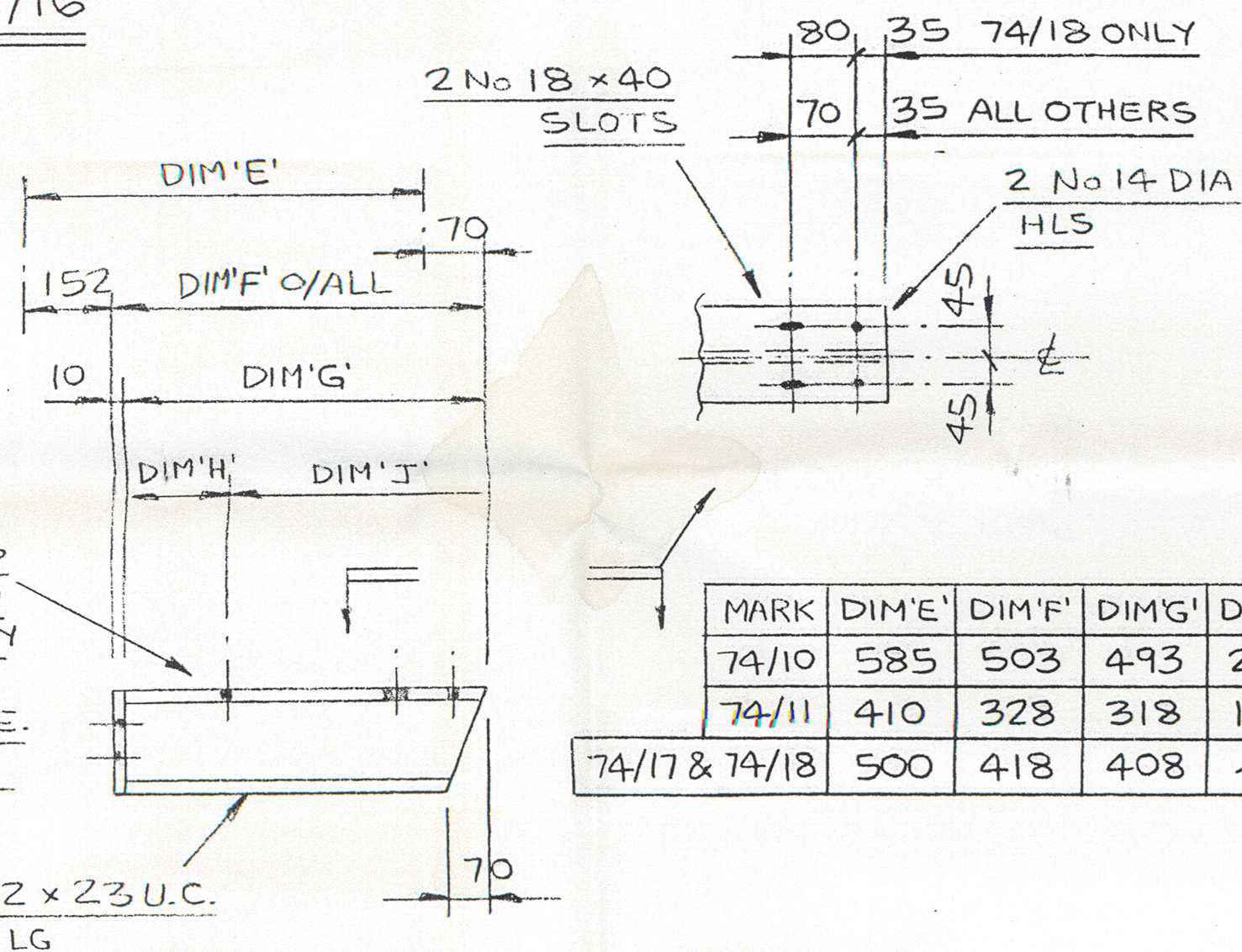
UNLESS OTHERWISE STATED

- ALL STRUCTURAL HOT ROLLED SECTIONS SHALL COMPLY WITH BS:4360 GRADE 43A OR EN 10025
- DO NOT SCALE DIMENSIONS
- IF IN DOUBT ASK
- STEELWORK FINISH AS SPECIFICATION
- FABRICATION AND ERECTION TO BE CARRIED OUT IN ACCORDANCE WITH THE TOLERANCES STIPULATED IN THE NATIONAL STRUCTURAL STEELWORK SPECIFICATION FOR BUILDING CONSTRUCTION UNLESS STATED OTHERWISE



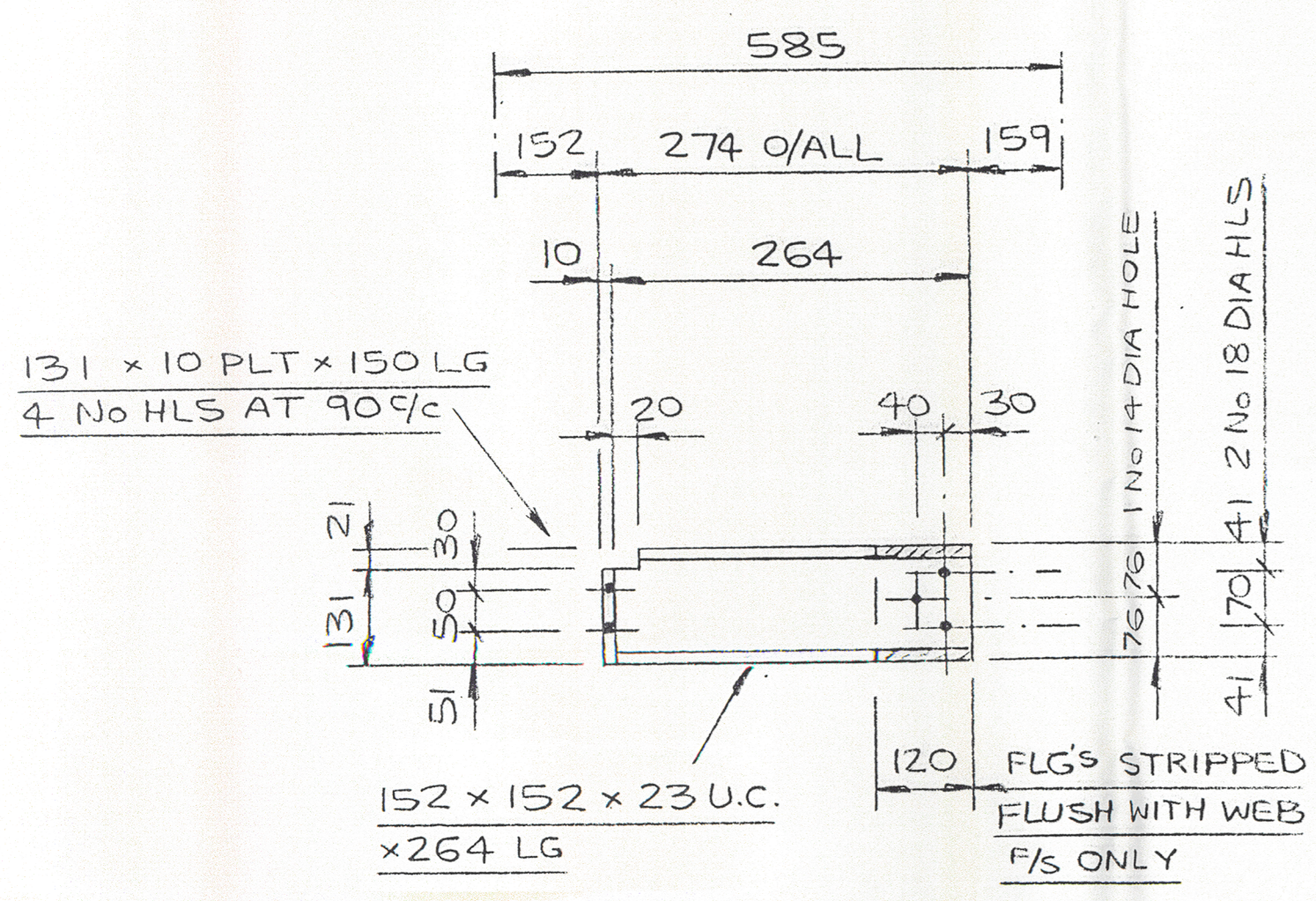
MARK	DIM'A'	DIM'B'	DIM'C'	DIM'D'
74/1	585	23	410	400
74/7	585	159	274	264
74/9	585	30	403	393
74/13	585	30	403	393
74/16	500	23	325	315

40 No BRACKETS REQ'D AS DRAWN & NOTED  
MK'D 13 No 74/1, 4 No 74/7, 6 No 74/9, 4 No 74/13  
& 13 No 74/16



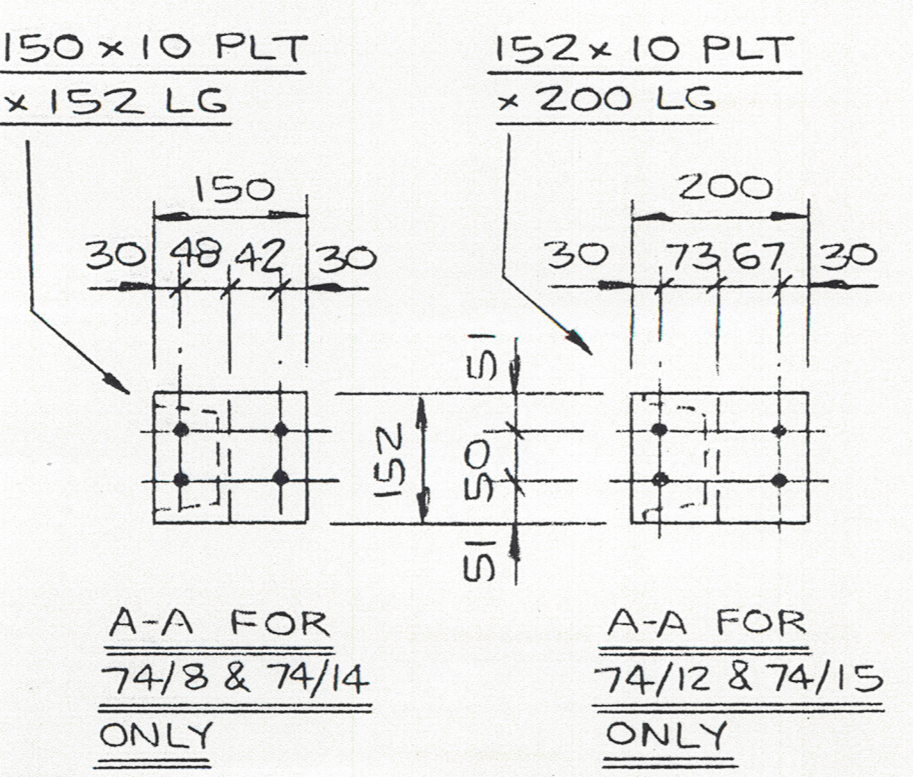
MARK	DIM'E'	DIM'F'	DIM'G'	DIM'H'	DIM'J'
74/10	585	503	493	226	267
74/11	410	328	318	126	192
74/17 & 74/18	500	418	408	/	/

26 No BRACKETS REQ'D AS DRAWN & NOTED  
MK'D 12 No 74/10, 2 No 74/11, 6 No 74/17 & 6 No 74/18

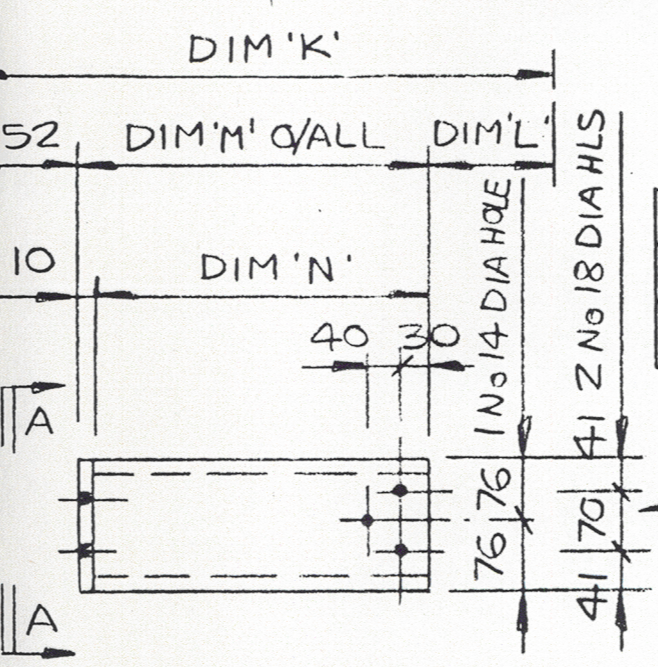


2 No BRACKETS REQ'D AS DRAWN MK'D 74/2

2 No RAILS REQ'D AS DRAWN MK'D 74/3



A-A FOR 74/8 & 74/14 ONLY  
A-A FOR 74/12 & 74/15 ONLY

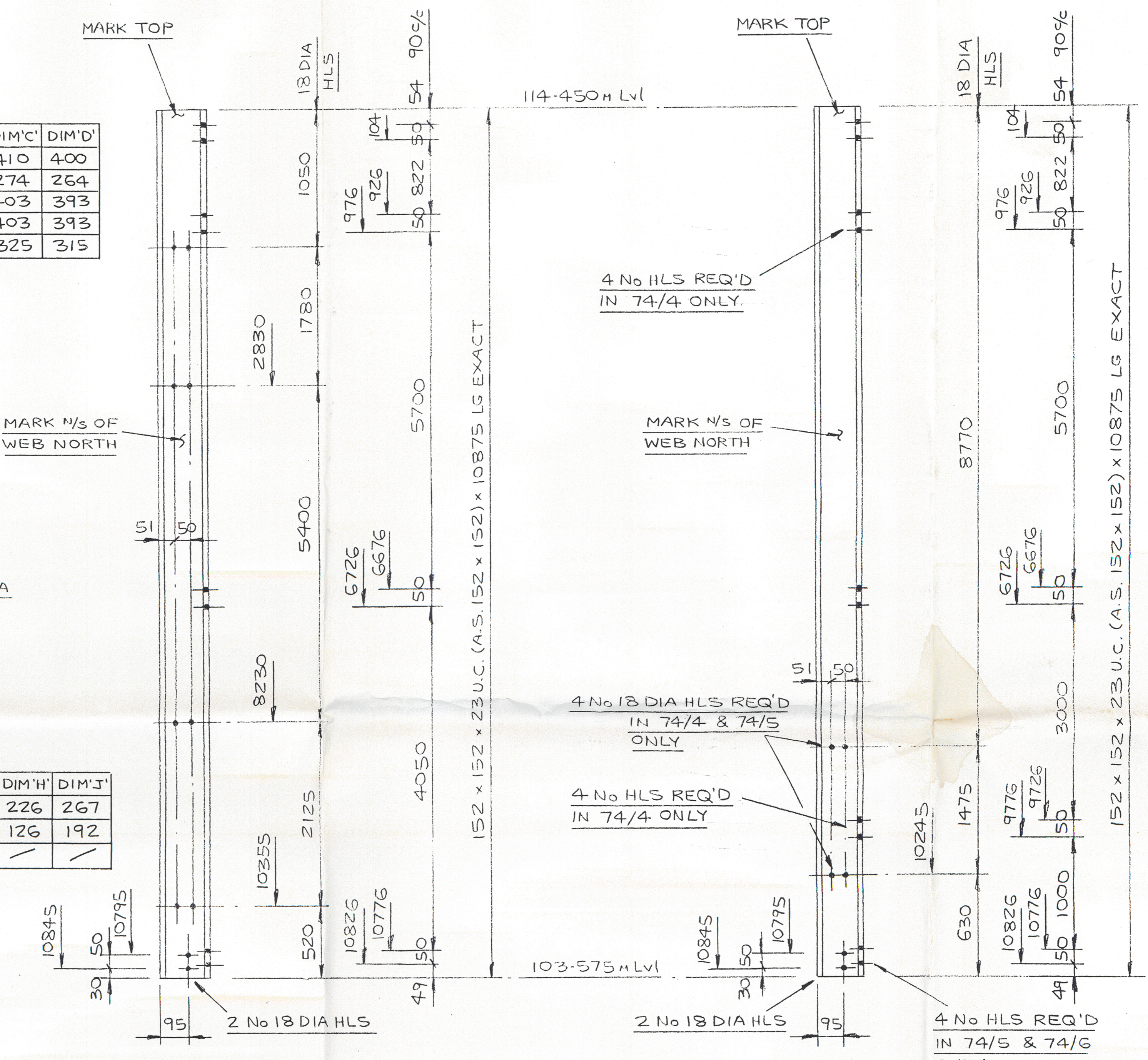


5 No RAILS REQ'D AS DRAWN & NOTED  
MK'D 1 No 74/4, 2 No 74/5 & 2 No 74/6

MARK	DIM'K'	DIM'L'	DIM'M'	DIM'N'
74/8 & 74/12	585	298	135	125
74/14 & 74/15	500	207	141	131

152 x 76 x 17.88 R.S.C.  
x DIM'N' LG

30 No BRACKETS REQ'D AS DRAWN & NOTED  
MK'D 10 No 74/8, 10 No 74/12, 5 No 74/14 & 5 No 74/15



- NOTES :-
- ALL STEEL TO BE GRADE 43A
  - ALL HLS TO BE 22 DIA FOR M20 GRD 8-8 BOLTS U.N.O.
  - ALL WELDS TO BE G.F.W. CONT U.N.O.
  - ALL STEEL GALVANISED

DATE	REVISIONS	INITIAL

TITLE NESTLE U.K. LTD, HAYES COFFEE GROUNDS COMBUSTION PLANT

FRAMING RAILS AND BRACKETS

DRAWING OFFICE AUTHORISATION	DATE	INITIAL
DRAWING CHECKED	9/12/96	JMR
DRAWING APPROVED		
FABRICATION APP'D.		
ERECTION APP'D.		
DRAWING NOT TO BE RELEASED UNTIL APPROVED		
© COPYRIGHT RESERVED		

DRN T.D.S. DATE 1/4/96 SCALE

MIFFLIN CONSTRUCTION LTD. WORCESTER ROAD, LEOMINSTER · HEREFORDSHIRE · HR6 8AY.  
TEL. 0568 613311 FAX. 0568 614935

DRG. No. C44/74