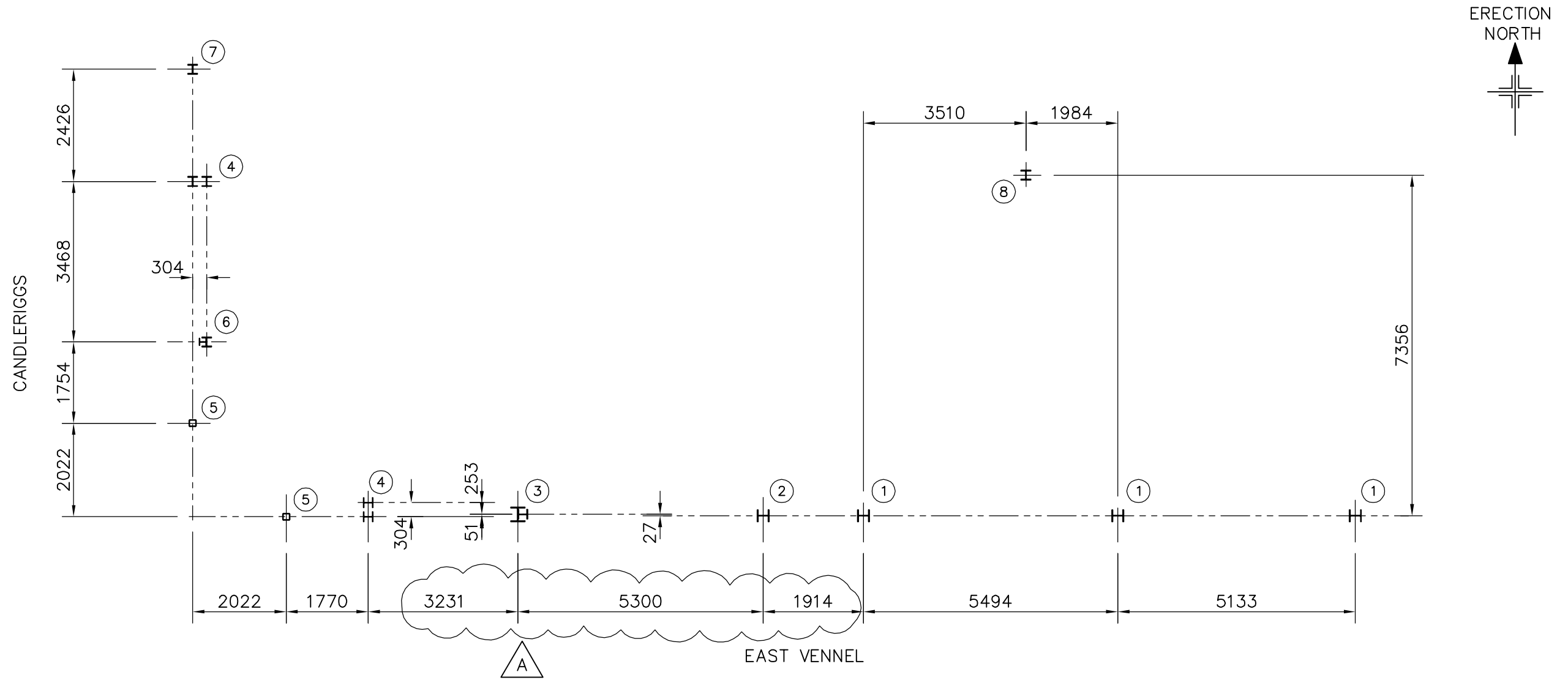


THIS DRAWING IS THE PROPERTY OF [REDACTED]  
 AND MAY NOT BE COPIED WITHOUT THEIR CONSENT



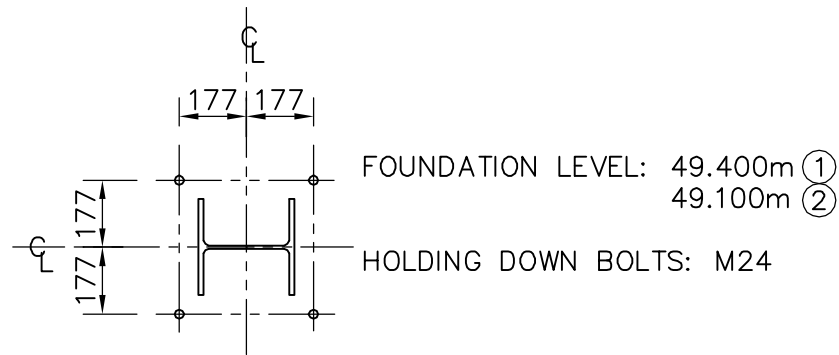
SETTING-OUT ARRANGEMENT

GENERAL NOTES:

THIS DRAWING TO BE READ IN  
 CONJUNCTION WITH G-002

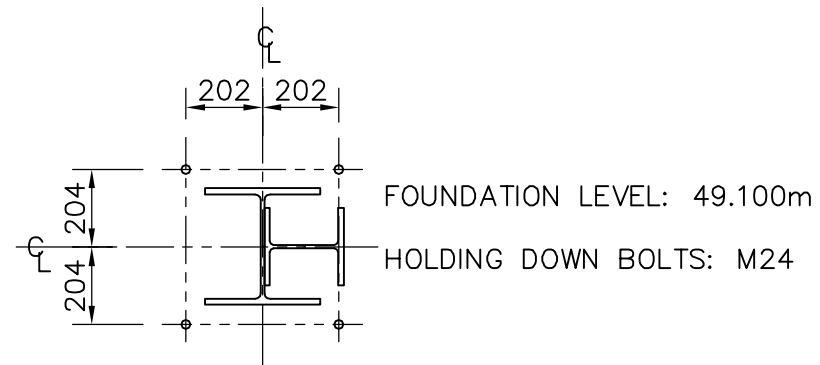
A	04/12/16	COLUMN SPACINGS ALTERED
REV	DATE	DESCRIPTION
[REDACTED]		
PROJECT TITLE		
[REDACTED]		
DRAWING TITLE		
SETTING-OUT ARRANGEMENT		
SCALE	DATE	DRAWN
1:100	SEP '16	A.T.S.
JOB No	DRAWING No	REV
1872	G-001	A

THIS DRAWING IS THE PROPERTY OF [REDACTED]  
AND MAY NOT BE COPIED WITHOUT THEIR CONSENT

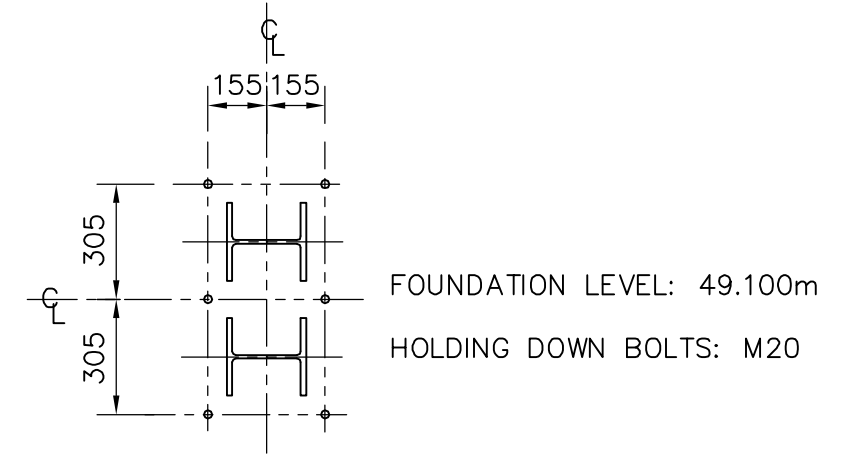


DETAIL (1) (3 No LOC'NS)

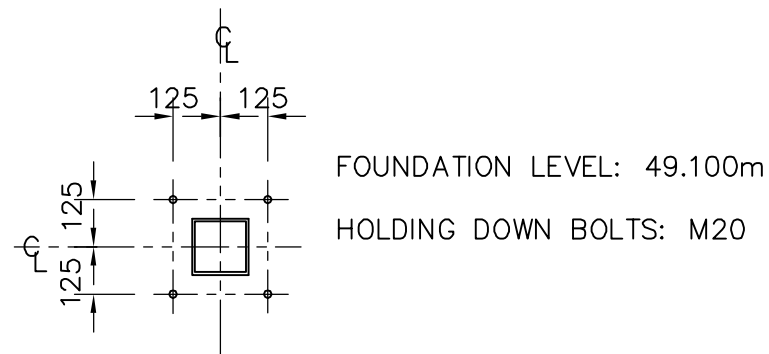
DETAIL (2) (ONE No LOC'N)



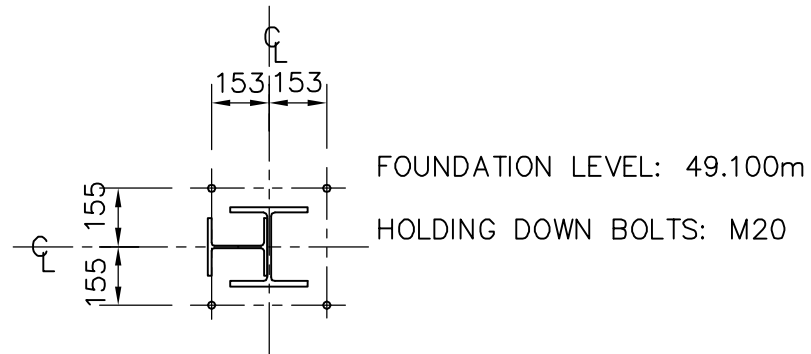
DETAIL (3) (ONE No LOC'N)



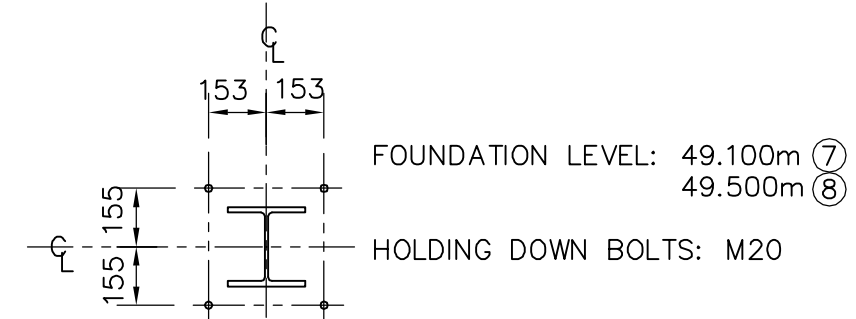
DETAIL (4) (2 No LOC'NS)



DETAIL (5) (2 No LOC'NS)



DETAIL (6) (ONE No LOC'N)



DETAIL (7) (ONE No LOC'N)

DETAIL (8) (ONE No LOC'N)

GENERAL NOTES:

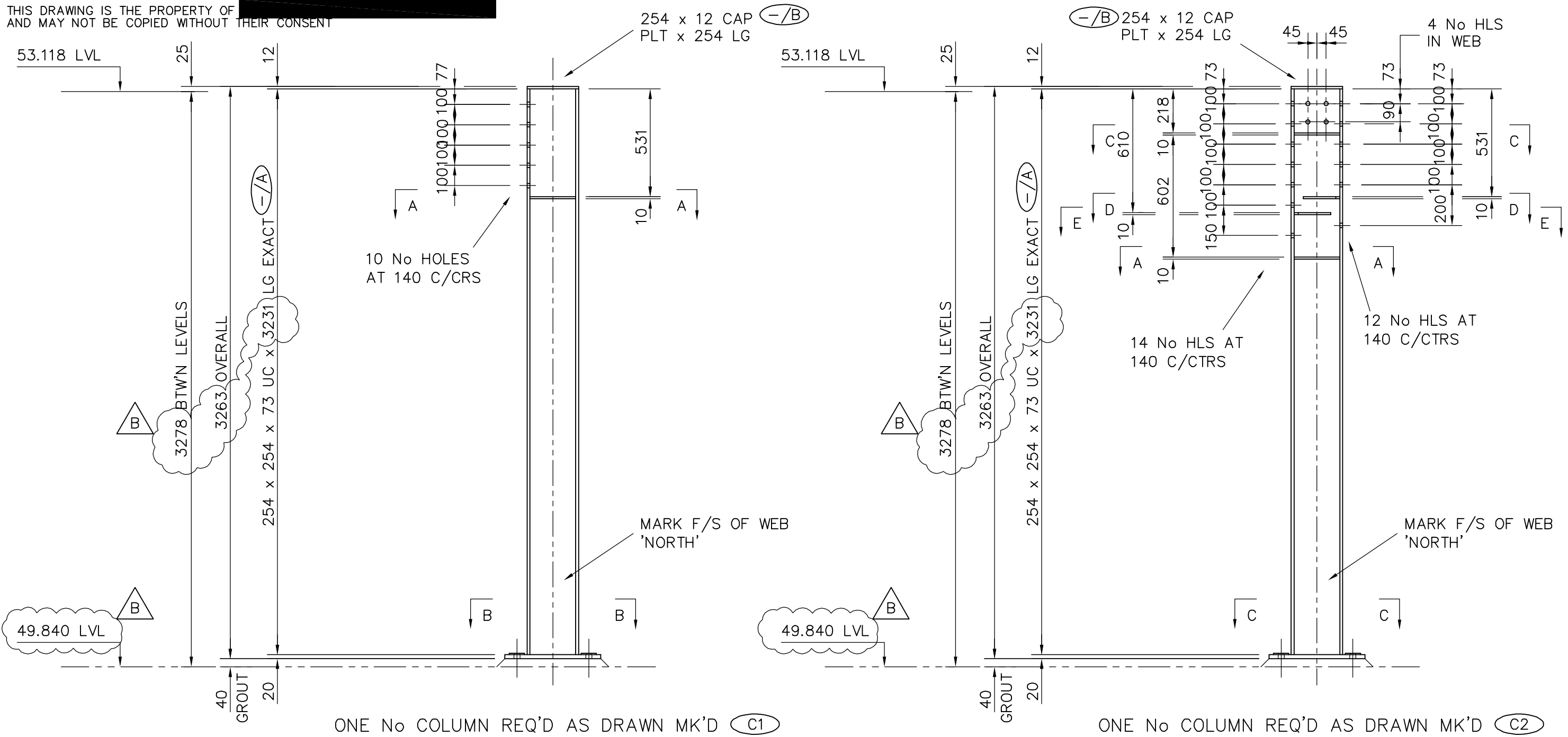
THIS DRAWING TO BE READ IN  
CONJUNCTION WITH G-001

NOTE: REVISION CLOUDS  
NOT SHOWN FOR REV A  
FOR CLARITY

A	16/10/16	CENTRELINES OF GRIDS ADDED
REV	DATE	DESCRIPTION
PROJECT TITLE		
DRAWING TITLE		
SETTING-OUT DETAILS		
SCALE	DATE	DRAWN
1:100	SEP '16	A.T.S.
JOB No	DRAWING No	REV
1872	G-002	A

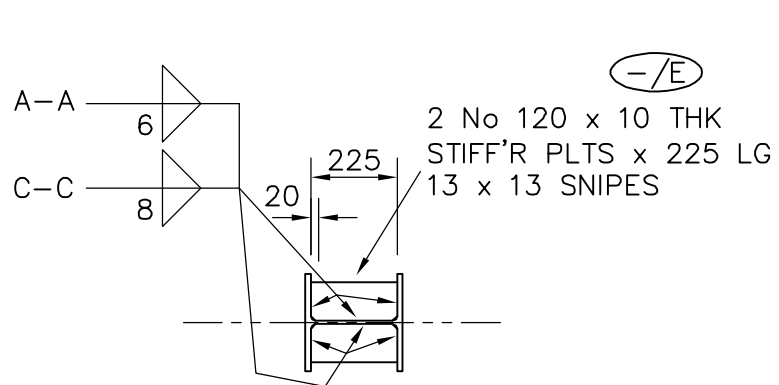


THIS DRAWING IS THE PROPERTY OF [REDACTED] AND MAY NOT BE COPIED WITHOUT THEIR CONSENT

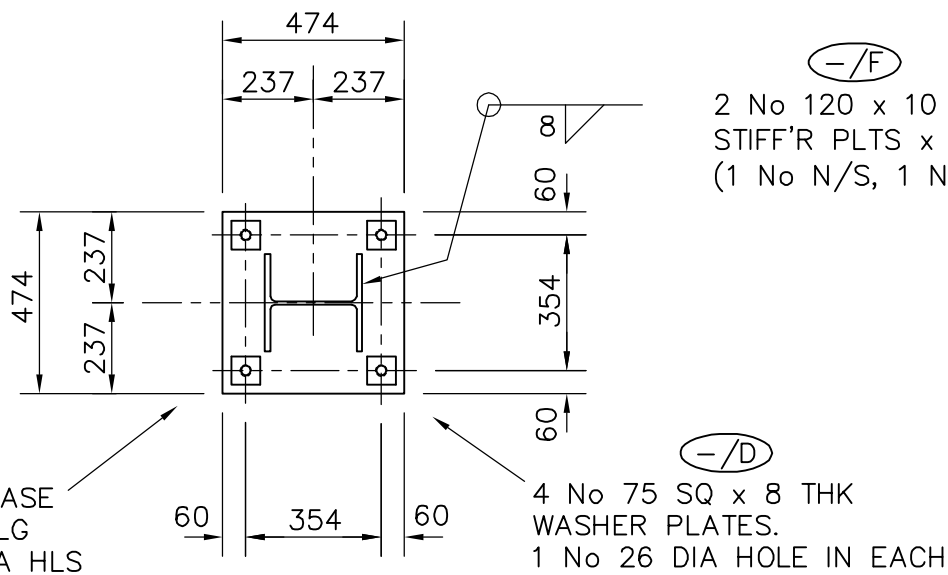


ONE No COLUMN REQ'D AS DRAWN MK'D (C1)

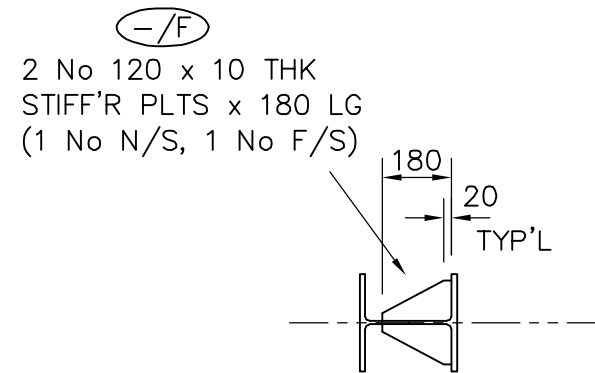
ONE No COLUMN REQ'D AS DRAWN MK'D (C2)



SECTION A-A } AS DRAWN  
SECTION C-C } & NOTED



SECTION B-B



SECTION D-D (AS DRAWN)  
SECTION E-E (OPP HAND)

GENERAL NOTES:

ALL HLS TO BE 22 DIA FOR M20 GRD 8.8 BOLTS UNO

ALL WELDS TO BE 6mm CONT. UNO

STEELWORK TO BE SHOT BLAST TO SA2 1/2 AND PAINTED 75 MICRONS ZINC PHOSPHATE PRIMER

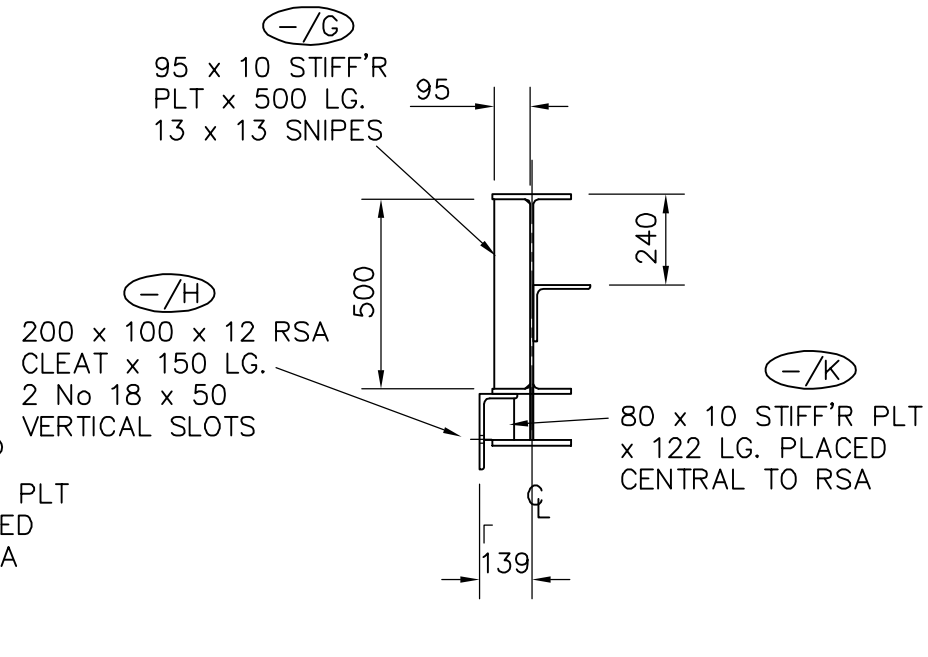
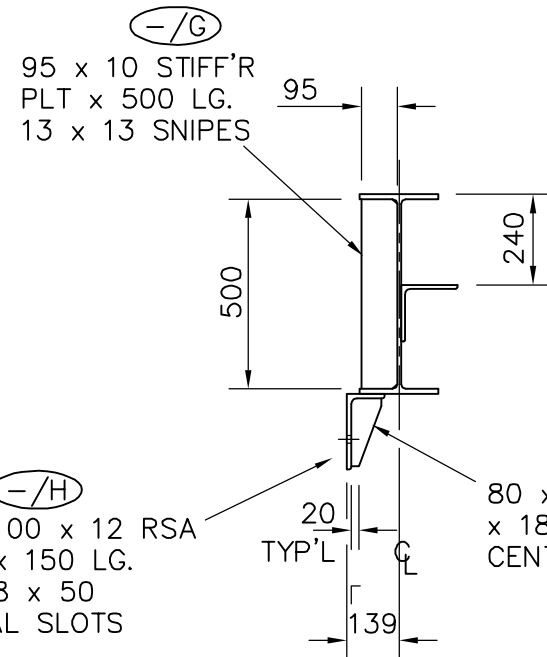
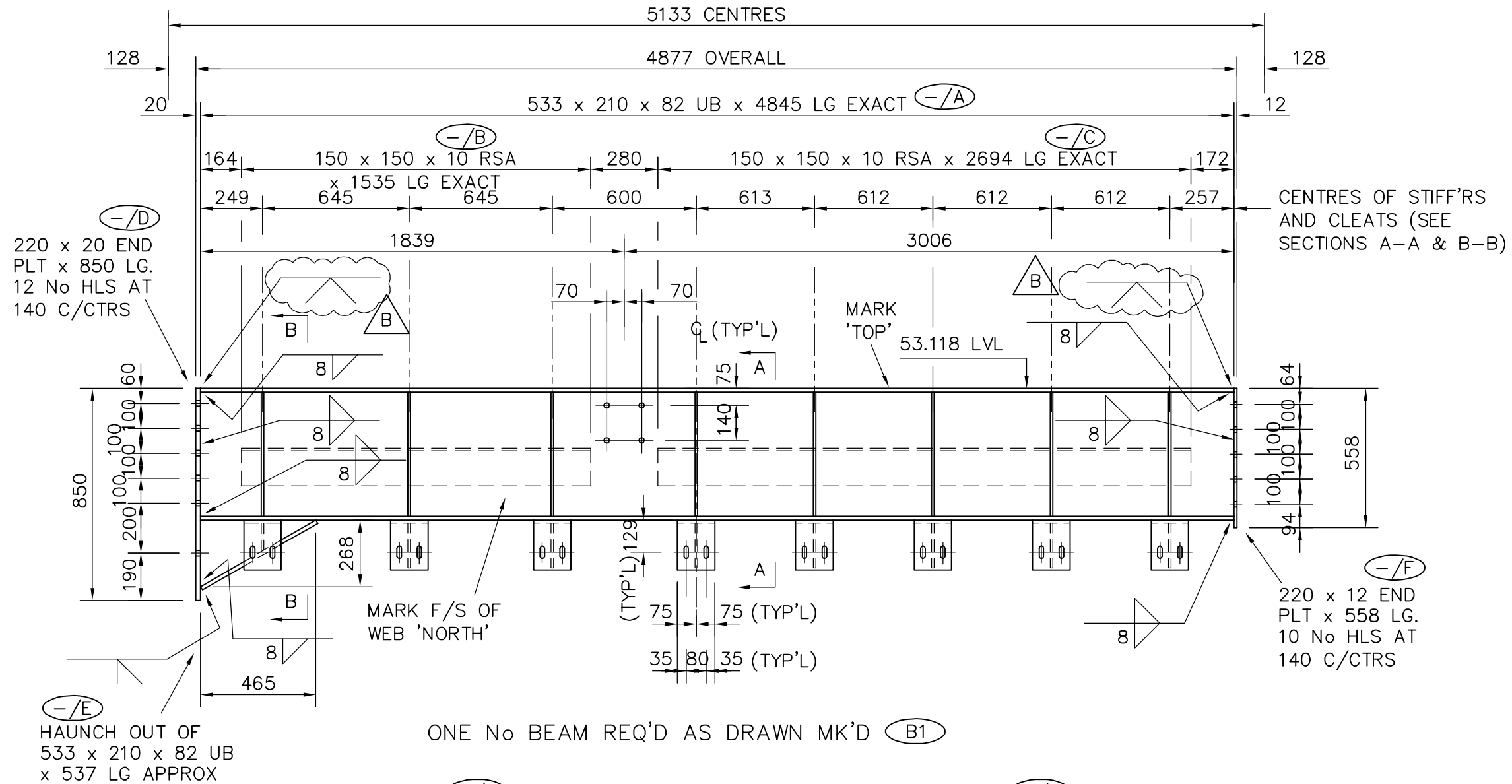
B	13/12/16	COLUMNS SHORTENED
A	15/10/16	HLS IN COL'N C1 ALTERED. HOLD RELEASED ON COL'N C2
REV	DATE	DESCRIPTION

PROJECT TITLE  
[REDACTED]

DRAWING TITLE  
COLUMN DETAILS

SCALE	DATE	DRAWN
N.T.S.	SEP '16	A.T.S.
JOB No	DRAWING No	REV
1872	D-001	B

THIS DRAWING IS THE PROPERTY OF [REDACTED] AND MAY NOT BE COPIED WITHOUT THEIR CONSENT



GENERAL NOTES:

ALL HLS TO BE 22 DIA FOR M20 GRD 8.8 BOLTS UNO

ALL WELDS TO BE 6/ CONT. UNO

STEELWORK TO BE SHOT BLAST TO SA2½ AND PAINTED 75 MICRONS ZINC PHOSPHATE PRIMER

B	18/10/16	END PLT WELDS ALTERED
A	15/10/16	HLS IN END PLATE & CLTS ALTERED. HOLD RELEASED
REV	DATE	DESCRIPTION

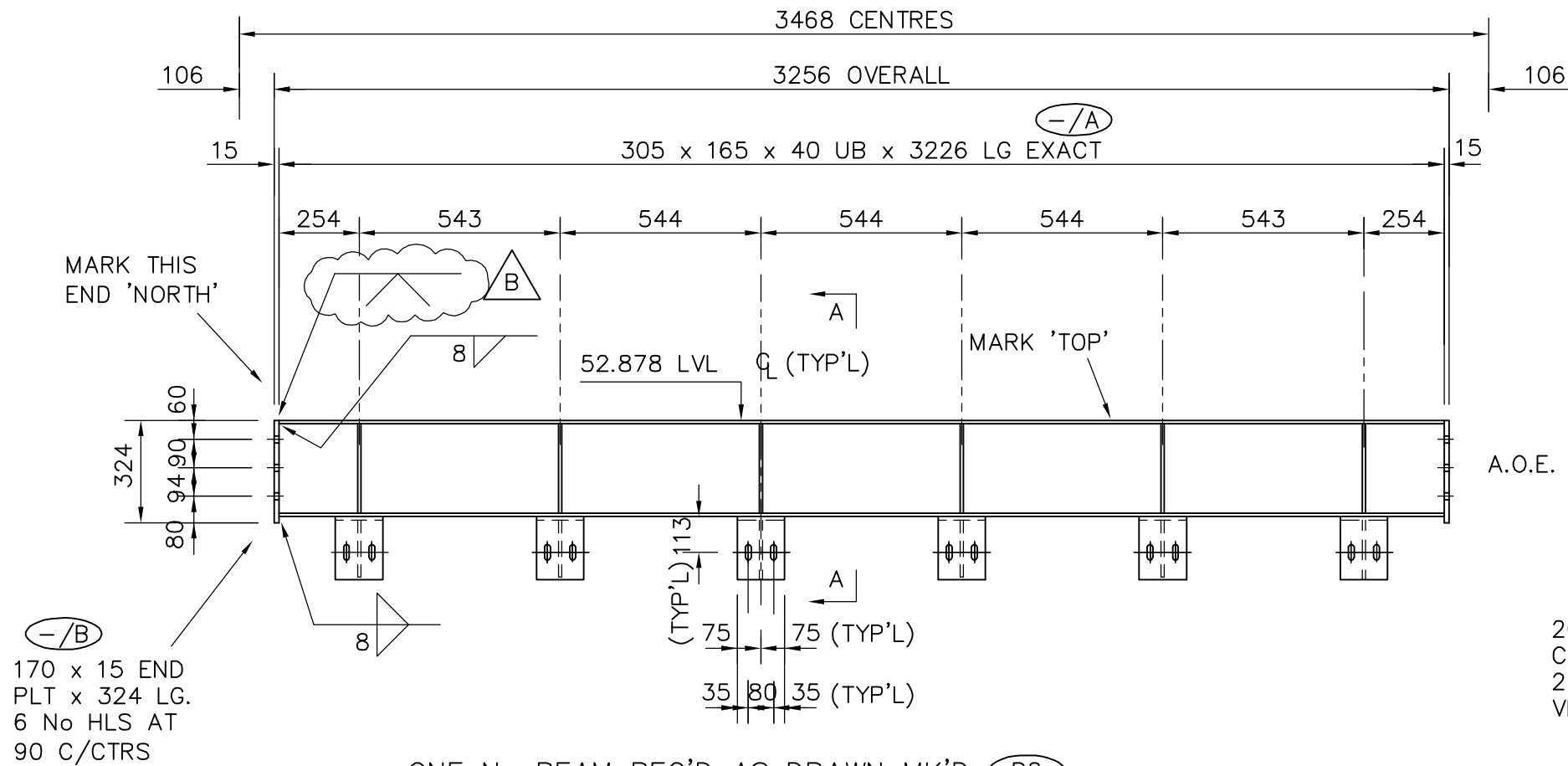
PROJECT TITLE

DRAWING TITLE  
BEAM DETAILS

SCALE	DATE	DRAWN
N.T.S.	SEP '16	A.T.S.

JOB No	DRAWING No	REV
1872	D-008	B

THIS DRAWING IS THE PROPERTY OF [REDACTED]  
AND MAY NOT BE COPIED WITHOUT THEIR CONSENT

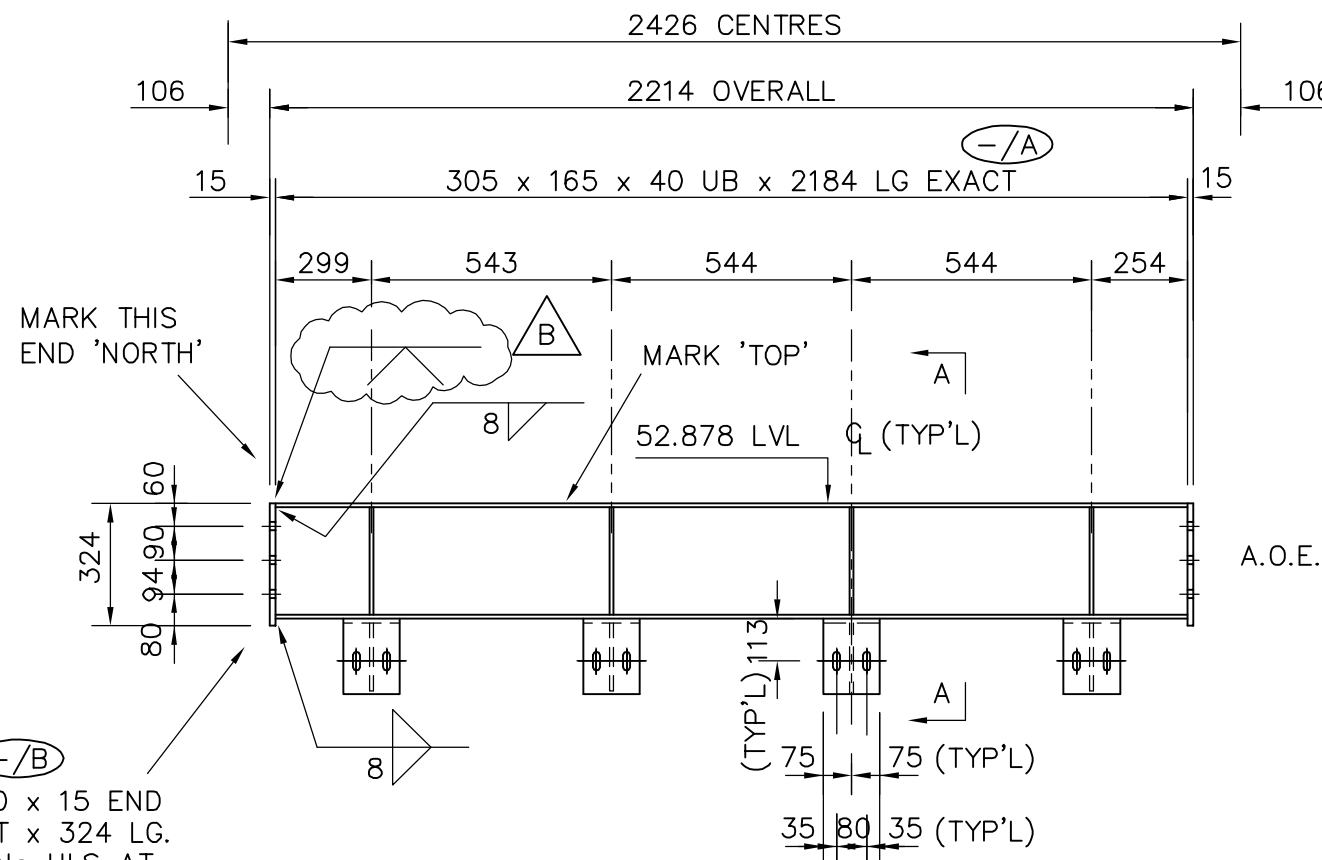


ONE No BEAM REQ'D AS DRAWN MK'D (B8)

-/D  
200 x 100 x 12 RSA CLEAT x 150 LG.  
2 No 18 x 50 LG VERTICAL SLOTS

SECTION A-A

(TYP'L 6 No POS'NS ON (B8) & 4 No POS'NS ON (B9))



ONE No BEAM REQ'D AS DRAWN MK'D (B9)

GENERAL NOTES:

ALL HLS TO BE 22 DIA FOR M20 GRD 8.8 BOLTS UNO

ALL WELDS TO BE 6/8 CONT. UNO

STEELWORK TO BE SHOT BLAST TO SA2 1/2 AND PAINTED 75 MICRONS ZINC PHOSPHATE PRIMER

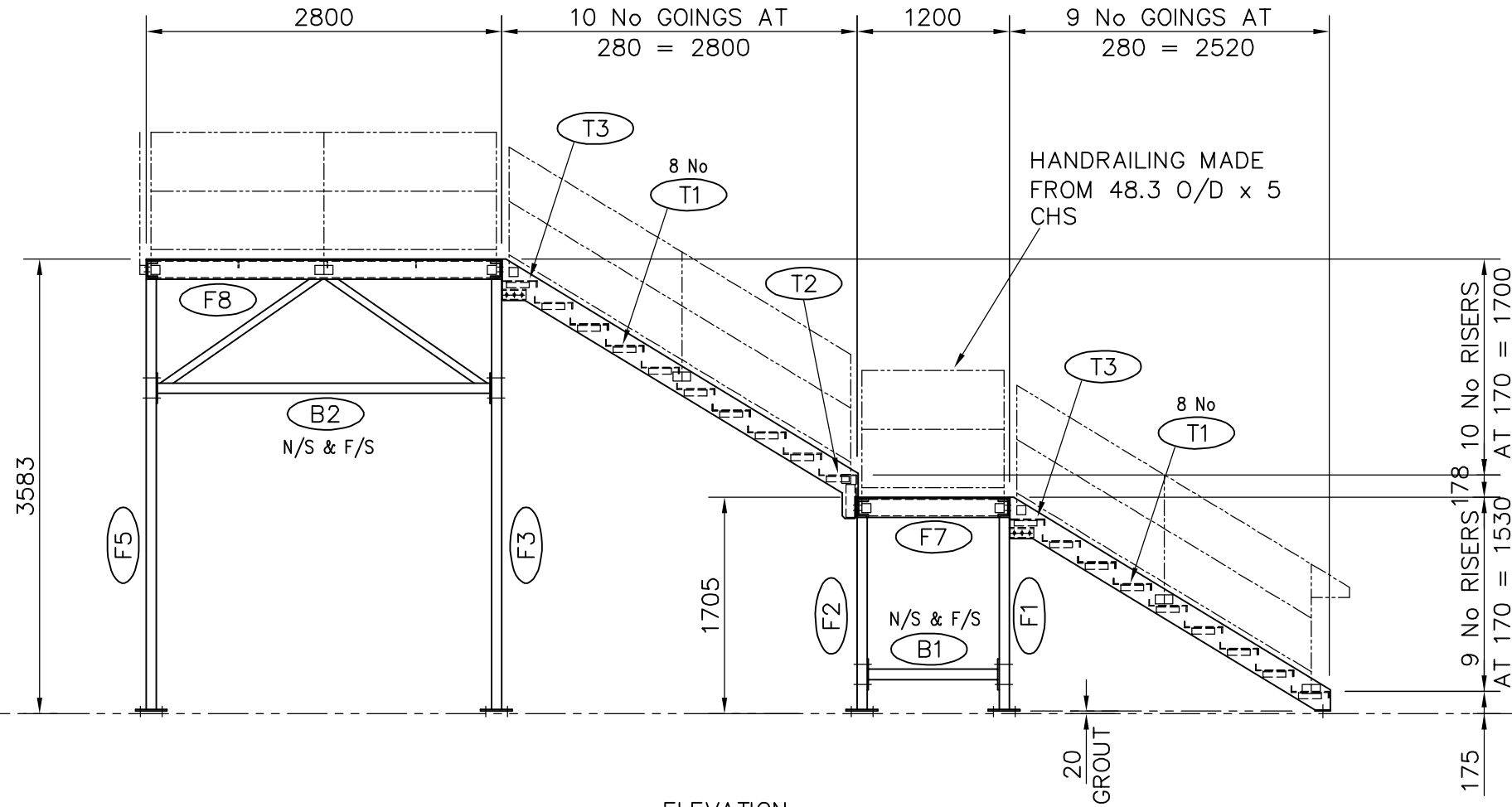
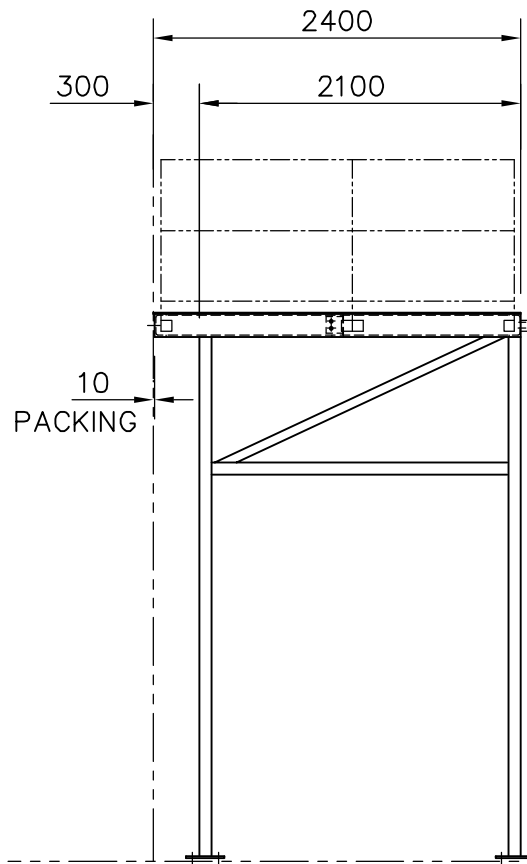
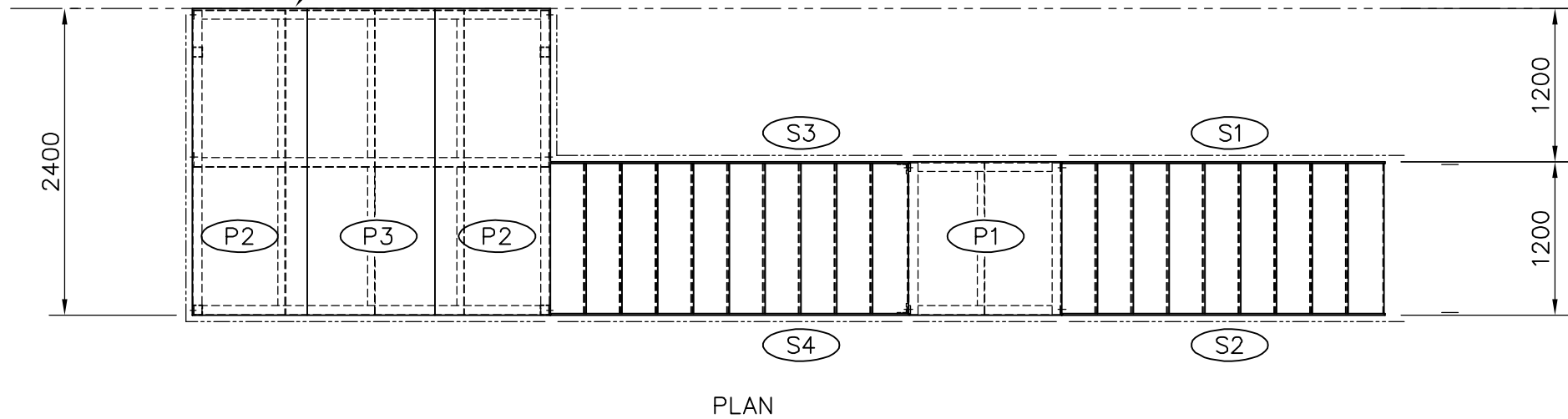
B	18/10/16	END PLT WELDS ALTERED
A	15/10/16	CLEATS ALTERED
REV	DATE	DESCRIPTION
[REDACTED]		
PROJECT TITLE		
[REDACTED]		
DRAWING TITLE		
BEAM DETAILS		
SCALE	DATE	DRAWN
N.T.S.	SEP '16	A.T.S.
JOB No	DRAWING No	REV
1872	D-014	B

THIS DRAWING IS THE PROPERTY OF [REDACTED] AND MAY NOT BE COPIED WITHOUT THEIR CONSENT

EDGE OF DURBAR PLT MAY BE GROUND ON SITE, DUE TO TOLERANCES IN CONCRETE

NOTE:  
FLOOR PLATE TO BE USED AS TEMPLATE TO DRILL HOLES IN SUPPORT STEELWORK

DETAIL DRAWINGS	
PEICEMARK	DETAIL DRG No
S1 & S2	D-001
S3 & S4	D-002
F1 & F2	D-003
F3	D-004
F5	D-005
F7	D-006
F8	D-007
B1 & B2	D-008
P1, P2 & P3	D-009
T1, T2 & T3	D-010



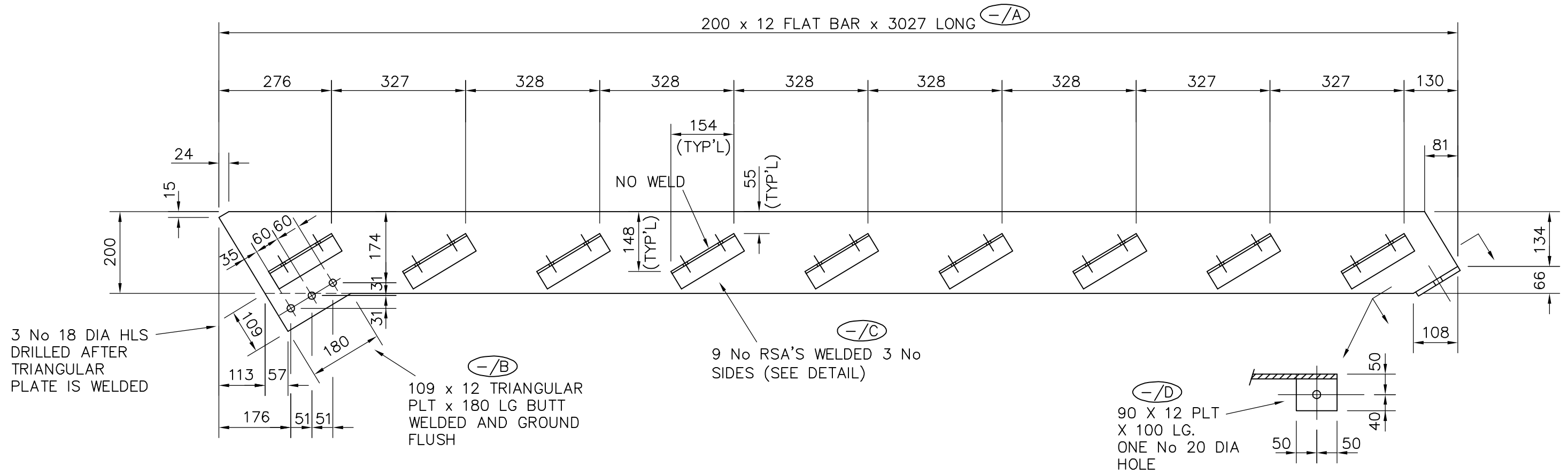
ONE No. STAIRCASE REQUIRED MK'D 'STAIR A'

GENERAL NOTES:

ALL PAINTING AS PER CONTRACT SPEC

REV	DATE	DESCRIPTION
PROJECT TITLE		
DRAWING TITLE		
STAIR A GENERAL ARRANGEMENT		
SCALE	DATE	DRAWN
1:50	FEB '12	A.T.S.
JOB No	DRAWING No	REV
830	G-001	-

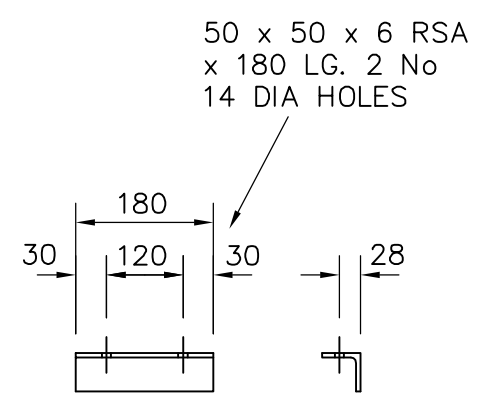
THIS DRAWING IS THE PROPERTY OF [REDACTED] AND MAY NOT BE COPIED WITHOUT THEIR CONSENT



2 No STRINGERS REQ'D AS DRAWN MK'D (S1)  
 (1 No. FOR STAIR A, 1 No. FOR STAIR B)

2 No STRINGERS REQ'D TO OPP HAND MK'D (S2)  
 (1 No. FOR STAIR A, 1 No. FOR STAIR B)

GENERAL NOTES:  
 ALL WELDS 5 MM CONTINUOUS UNO.  
 ALL GALVANISING AS PER CONTRACT SPEC



DETAIL OF RSA (-/C)

GENERAL NOTES:  
 ALL WELDS 5 MM CONTINUOUS UNO.  
 ALL GALVANISING AS PER CONTRACT SPEC

REV	DATE	DESCRIPTION
PROJECT TITLE		
DRAWING TITLE		
STRINGER DETAILS		
SCALE	DATE	DRAWN
N.T.S.	FEB '12	A.T.S.
JOB No	DRAWING No	REV
830	D-001	-

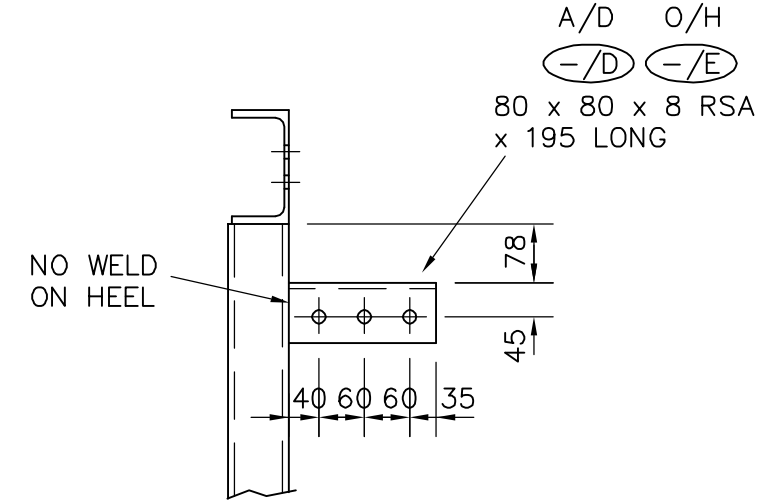
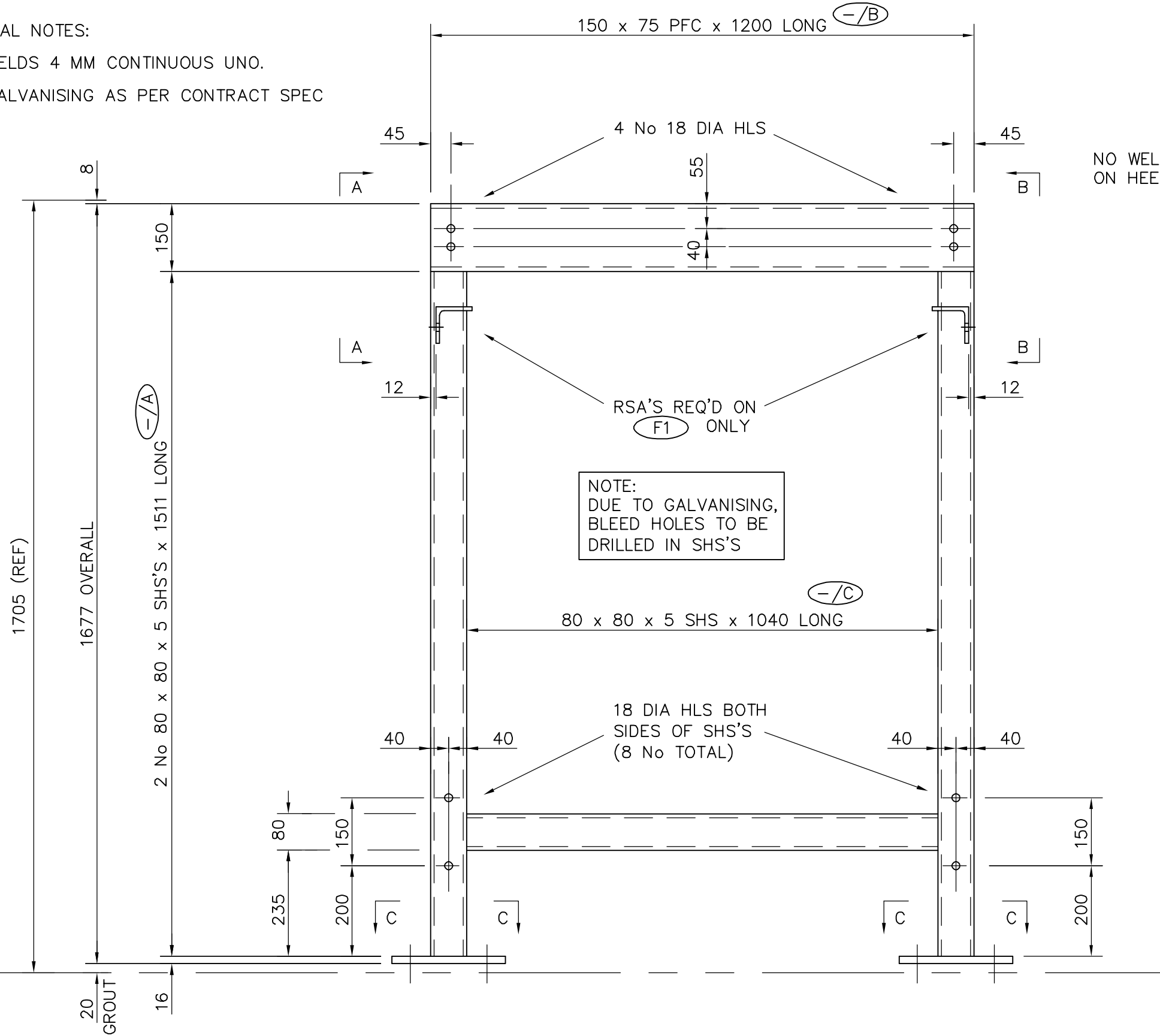


THIS DRAWING IS THE PROPERTY OF [REDACTED] AND MAY NOT BE COPIED WITHOUT THEIR CONSENT

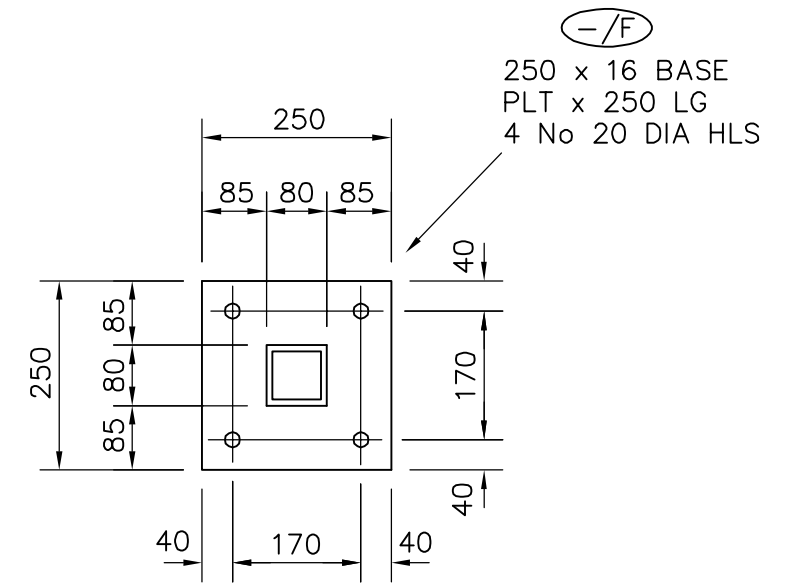
GENERAL NOTES:

ALL WELDS 4 MM CONTINUOUS UNO.

ALL GALVANISING AS PER CONTRACT SPEC



VIEW ON A-A (AS DRAWN)  
VIEW ON B-B (TO OPP HAND)



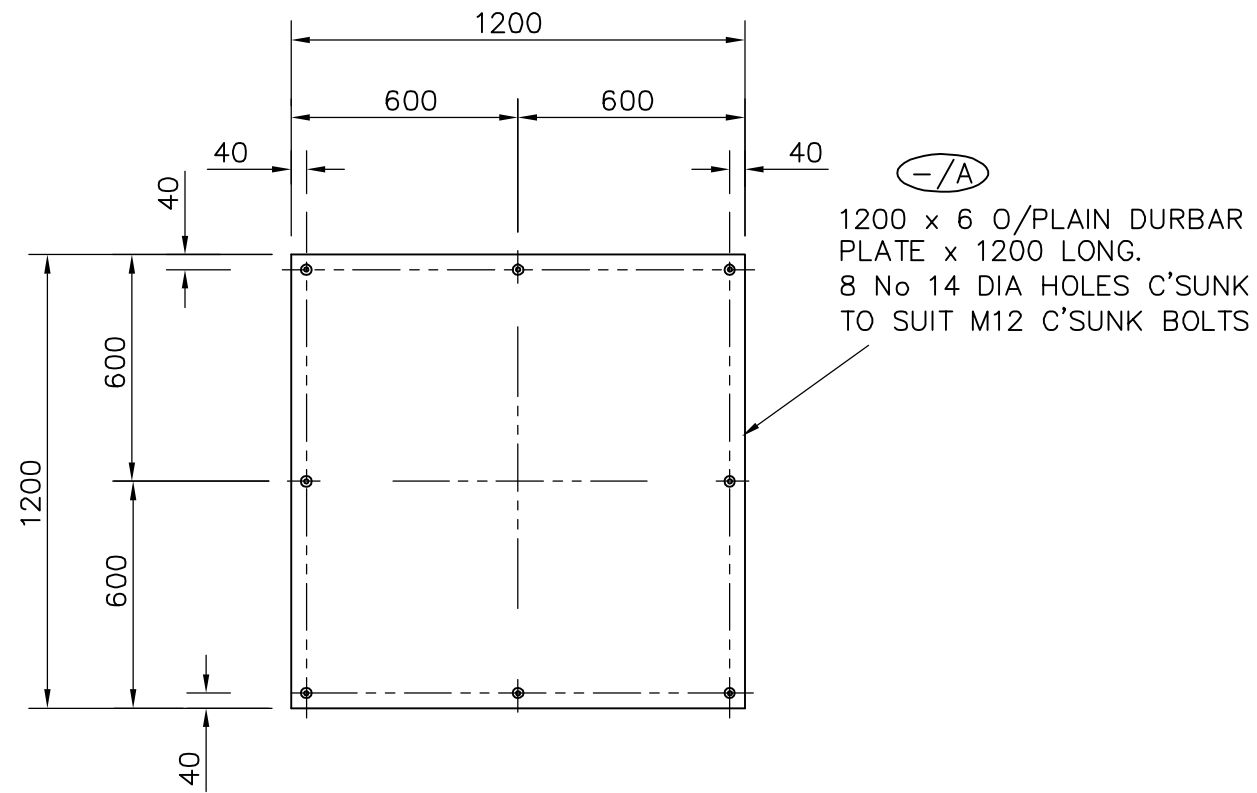
SECTION C-C  
(2 No LOCATIONS)

NOTE:  
DUE TO GALVANISING,  
BLEED HOLES TO BE  
DRILLED IN SHS'S

2 No FRAMES REQ'D AS DRAWN & NOTED MK'D (F1)  
(ONE No FOR STAIR A, ONE No FOR STAIR B)

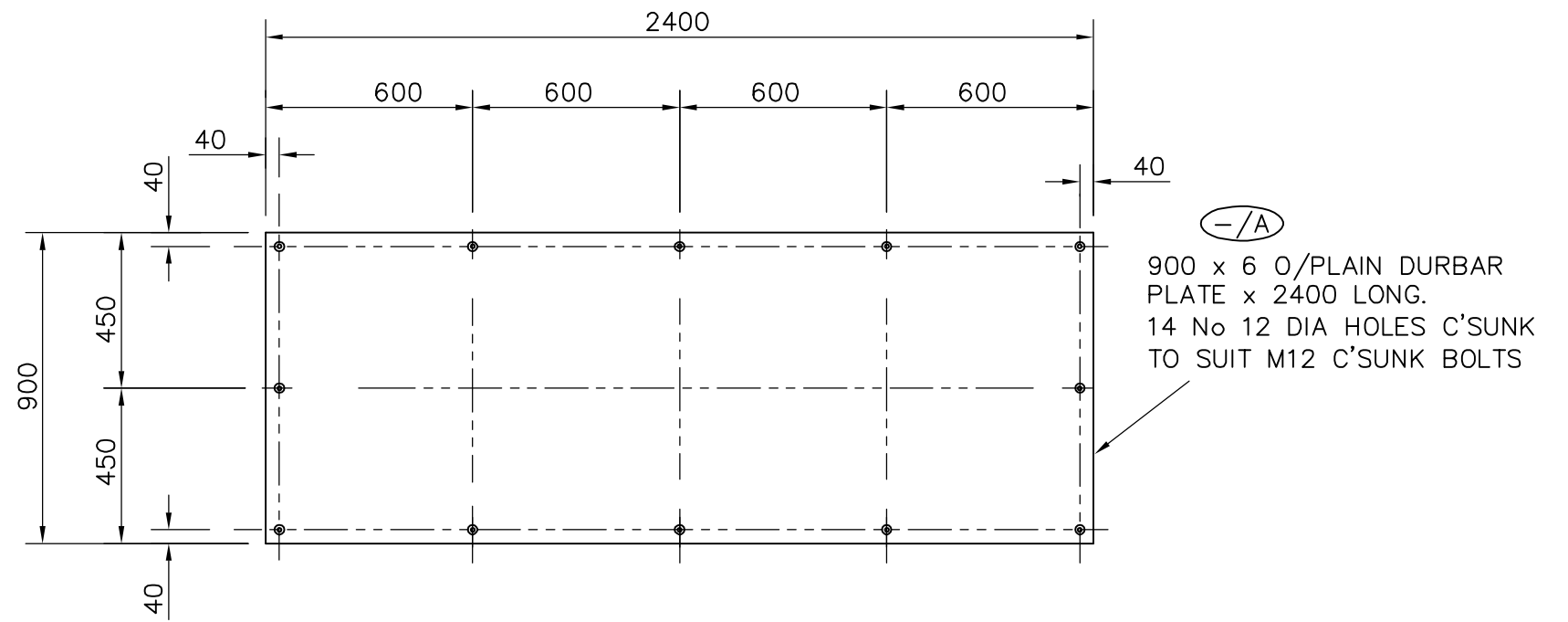
2 No FRAMES REQ'D AS DRAWN & NOTED MK'D (F2)  
(ONE No FOR STAIR A, ONE No FOR STAIR B)

REV	DATE	DESCRIPTION
PROJECT TITLE		
DRAWING TITLE		
FRAME DETAILS		
SCALE	DATE	DRAWN
N.T.S.	FEB '12	A.T.S.
JOB No	DRAWING No	REV
830	D-003	-

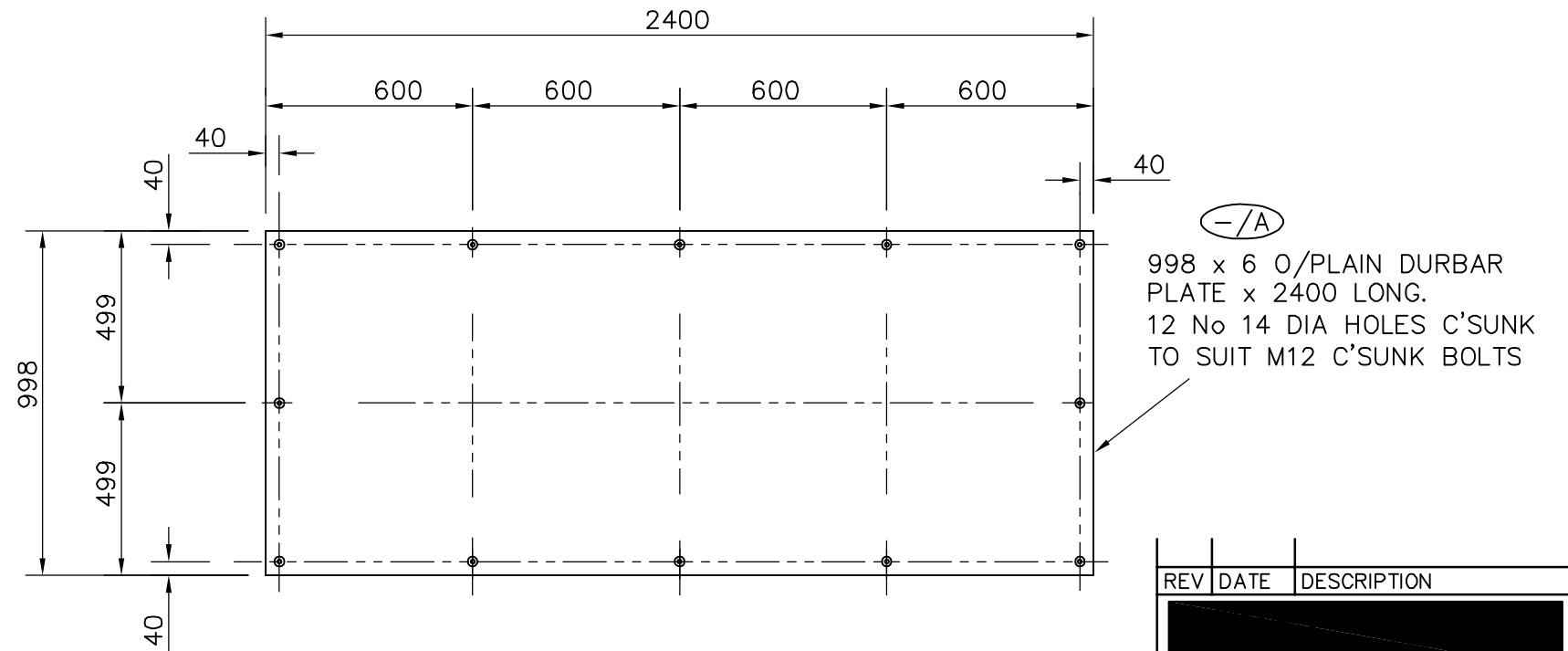


2 No PLATES REQ'D AS DRAWN MK'D (P1)  
(ONE No FOR STAIR A, ONE No FOR STAIR B)

NOTE:  
FLOOR PLATE TO BE USED AS TEMPLATE  
TO DRILL HOLES IN SUPPORT STEELWORK



4 No PLATES REQ'D AS DRAWN MK'D (P2)  
(2 No FOR STAIR A, 2 No FOR STAIR B)



2 No PLATES REQ'D AS DRAWN MK'D (P3)  
(ONE No FOR STAIR A, ONE No FOR STAIR B)

GENERAL NOTES:  
ALL GALVANISING AS PER CONTRACT SPEC

REV	DATE	DESCRIPTION
PROJECT TITLE		
DRAWING TITLE		
FLOOR PLATE DETAILS		
SCALE	DATE	DRAWN
N.T.S.	FEB '12	A.T.S.
JOB No	DRAWING No	REV
830	D-009	-

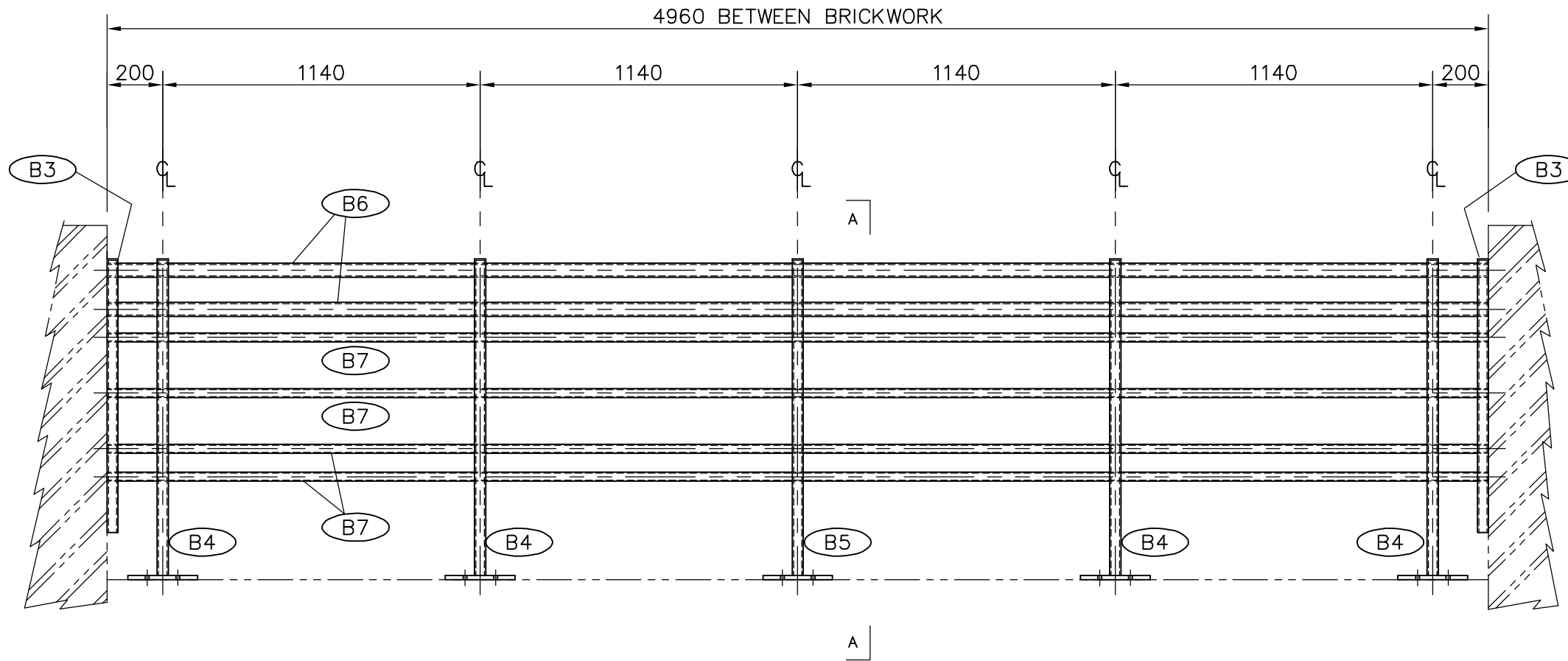
THIS DRAWING IS THE PROPERTY OF [REDACTED] AND MAY NOT BE COPIED WITHOUT THEIR CONSENT

GENERAL NOTES:

ALL STEEL GRD 43A UNO

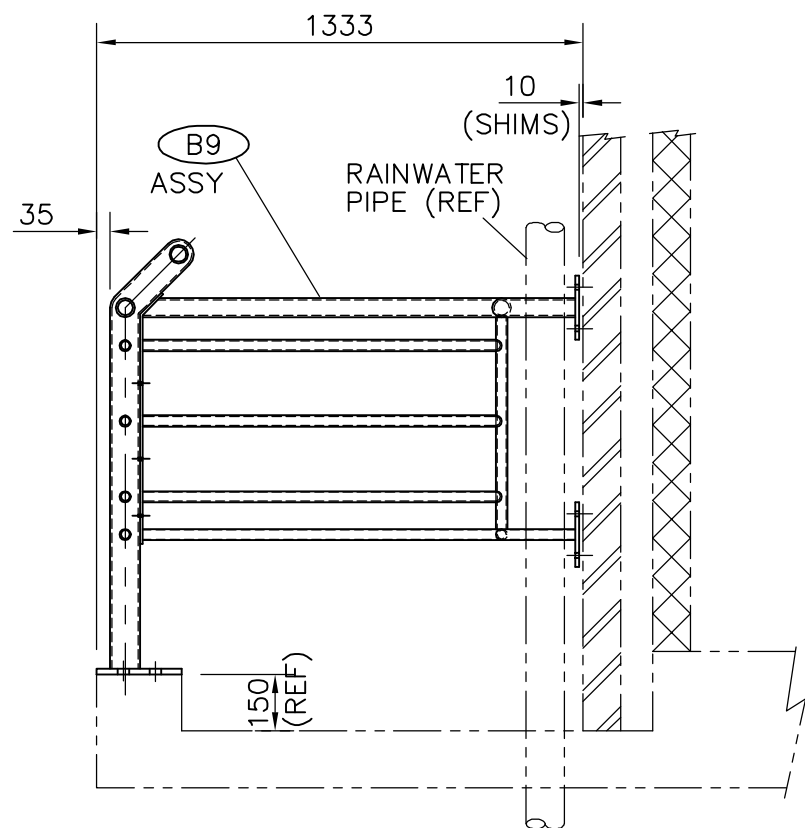
ALL WELDS TO BE 6 MM FW CONT UNO

ALL PAINTING AS PER CONTRACT SPEC



DETAIL DRAWINGS	
PIECEMARK	DETAIL DRG No
B3	D-101
B4	D-101
B5	D-101
B6	D-102
B7	D-102
B9	D-103

12 No SETS OF HANDRAILING REQUIRED AS DRAWN (2ND TO 7TH FLOORS)



A	10/10/08	GENERAL ALTERATIONS
REV	DATE	DESCRIPTION
[REDACTED]		
PROJECT TITLE		
[REDACTED]		
DRAWING TITLE		
HANDRAILING ARRANGEMENT (2ND-7TH FLRS)		
SCALE	DATE	DRAWN
N.T.S.	SEP '08	A.T.S.
JOB No	DRAWING No	REV
C0049	G-102	A

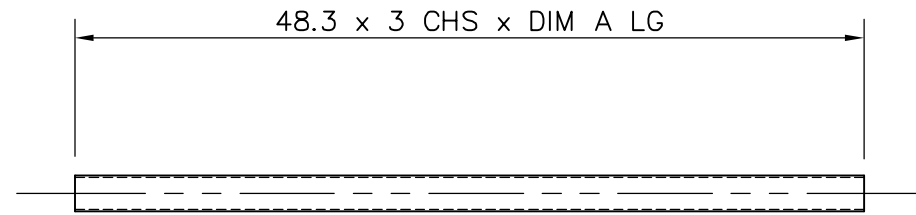
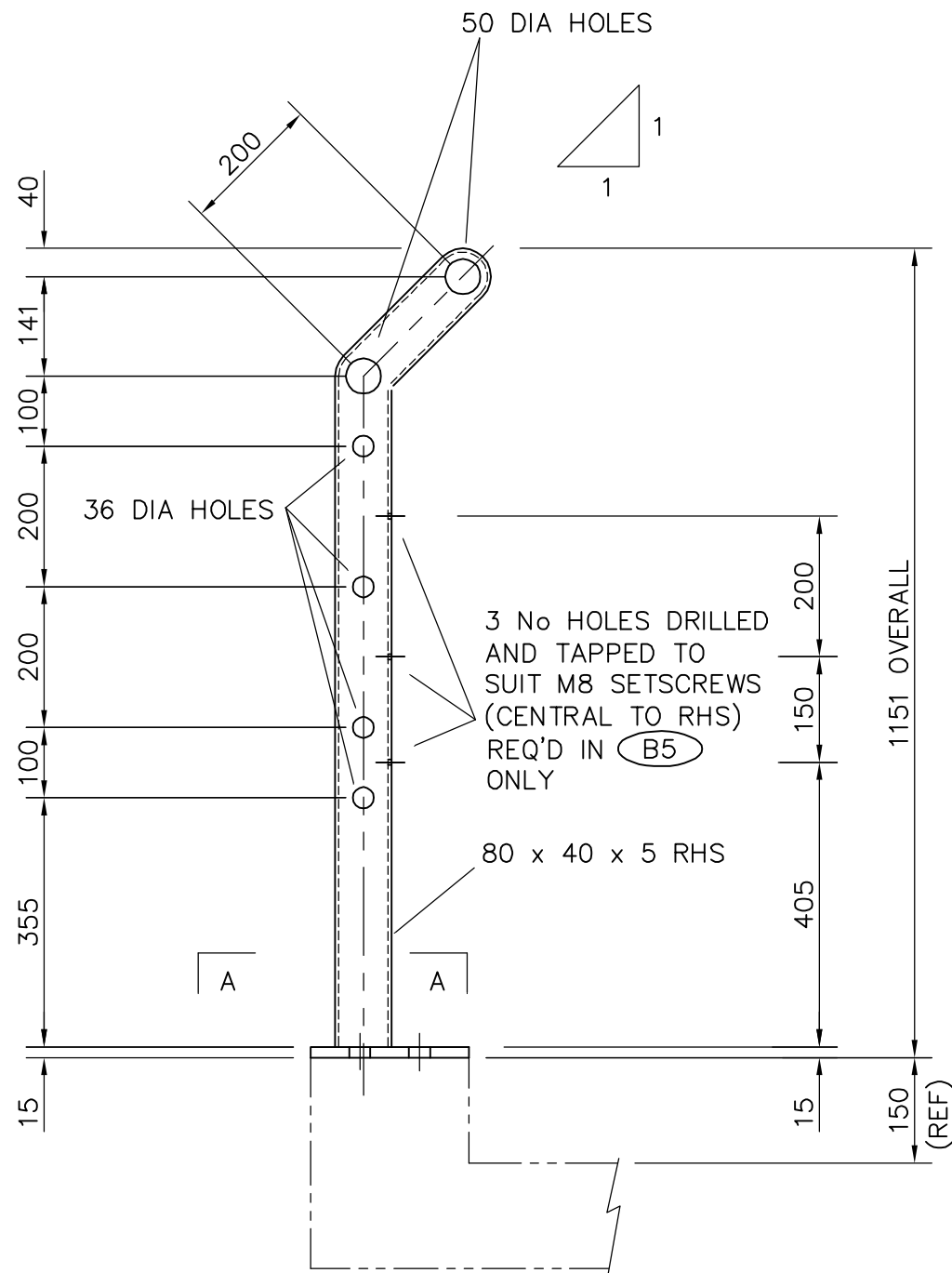
THIS DRAWING IS THE PROPERTY OF [REDACTED]  
AND MAY NOT BE COPIED WITHOUT THEIR CONSENT

GENERAL NOTES:

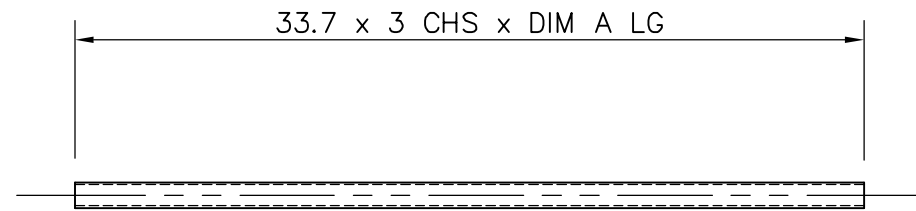
ALL STEEL GRD 43A UNO

ALL WELDS TO BE 6 MM FW CONT UNO

ALL PAINTING AS PER CONTRACT SPEC



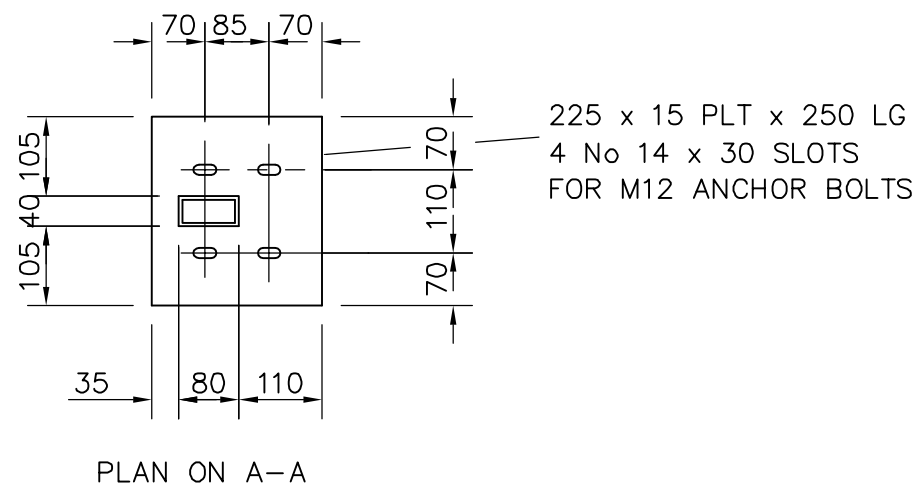
52 No RAILS REQ'D AS DRAWN  
& NOTED MK'D (B6) & (B10)



104 No RAILS REQ'D AS DRAWN  
& NOTED MK'D (B7) & (B11)

PEICEMARK	No OFF	DIM A
B6	28	4950
B7	56	4950
B10	24	5748
B11	48	5748

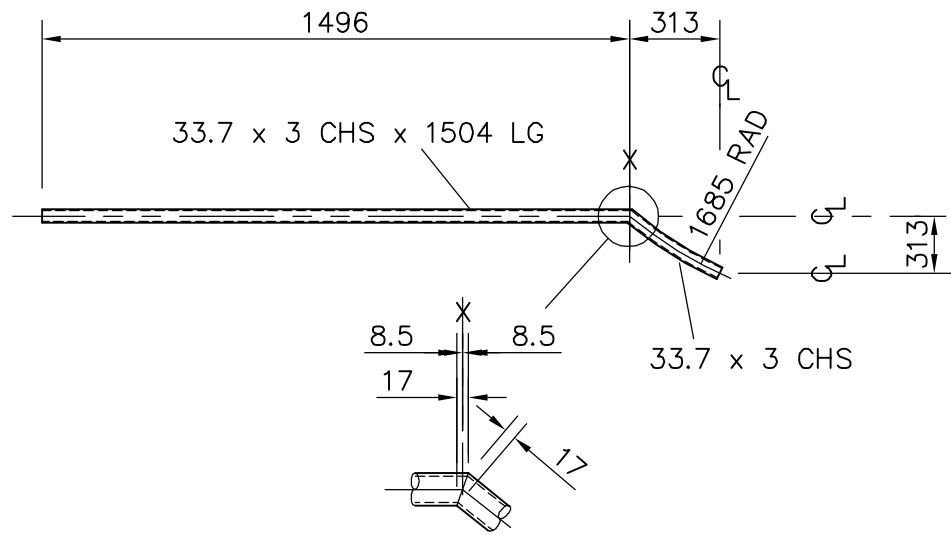
120 No UPRIGHTS REQ'D AS DRAWN & NOTED  
96 No (B4) & 24 No (B5)



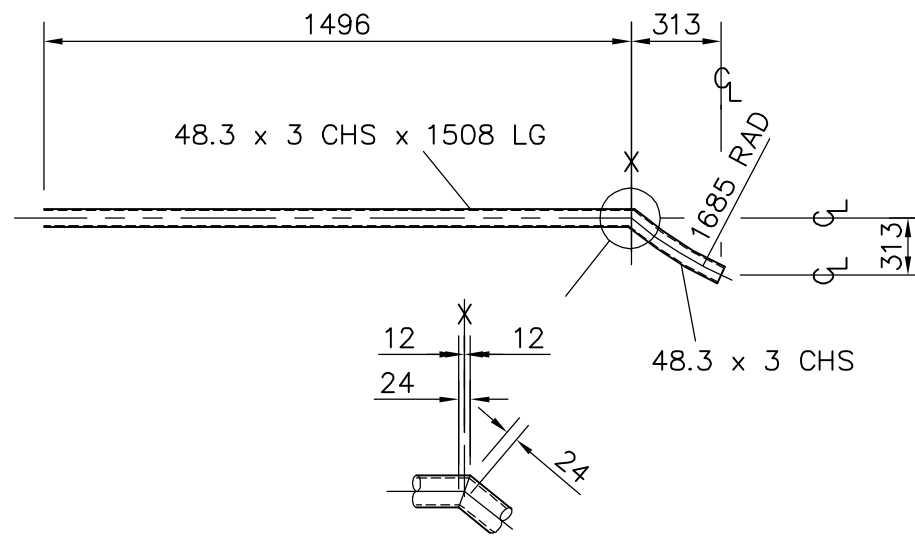
REV	DATE	DESCRIPTION
A	10/10/08	GENERAL REVISIONS
[REDACTED]		
PROJECT TITLE		
[REDACTED]		
DRAWING TITLE		
HANDRAILING DETAILS		
[REDACTED]		
SCALE	DATE	DRAWN
N.T.S.	SEP '08	A.T.S.
JOB No	DRAWING No	REV
C0049	D-102	A

THIS DRAWING IS THE PROPERTY OF [REDACTED] AND MAY NOT BE COPIED WITHOUT THEIR CONSENT

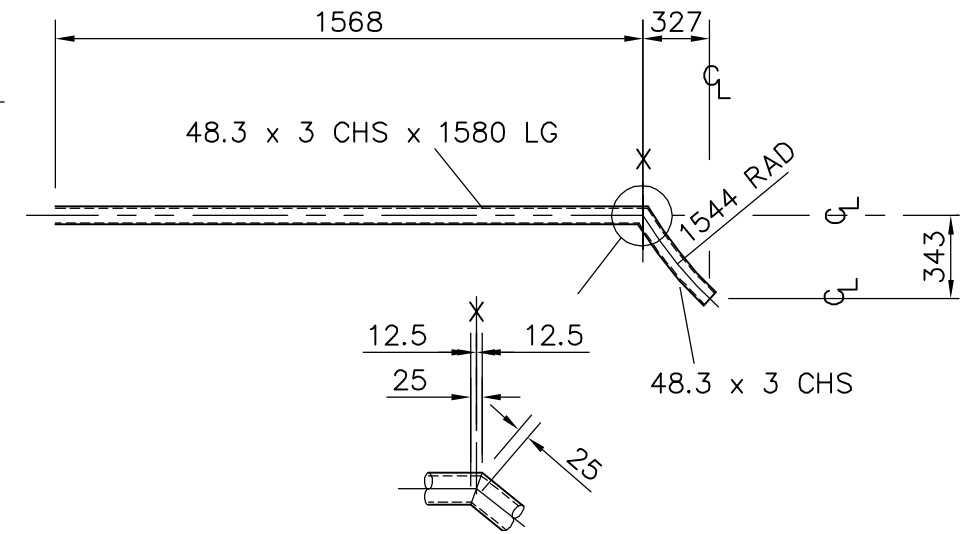
GENERAL NOTES:  
 ALL STEEL GRD 43A UNO  
 ALL WELDS TO BE 6 MM FW CONT UNO  
 ALL PAINTING AS PER CONTRACT SPEC



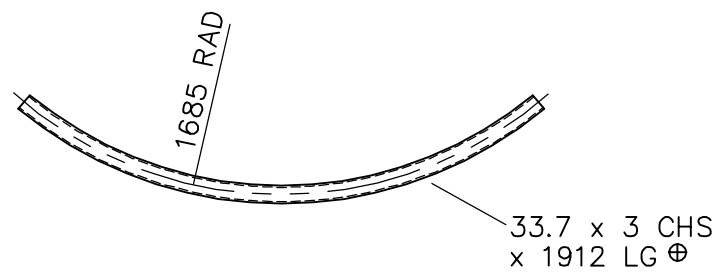
4 No RAILS REQ'D AS DRAWN MK'D (CB33)



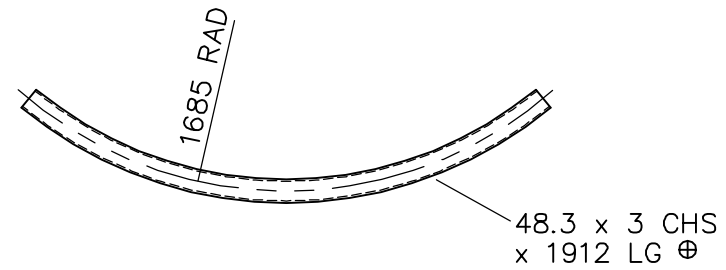
ONE No RAIL REQ'D AS DRAWN MK'D (CB34)



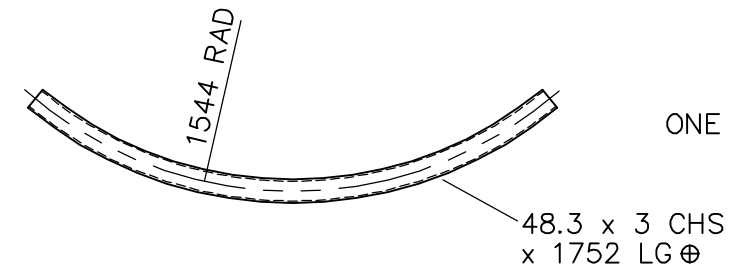
ONE No RAIL REQ'D AS DRAWN MK'D (CB35)



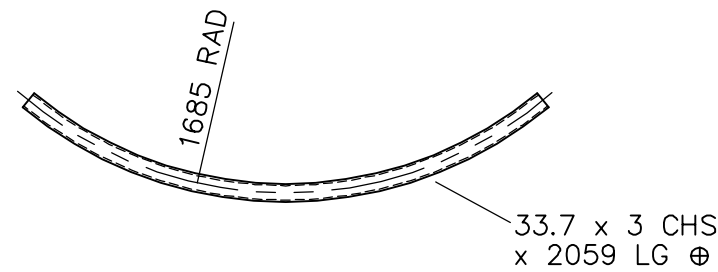
4 No RAILS REQ'D AS DRAWN MK'D (CB36)



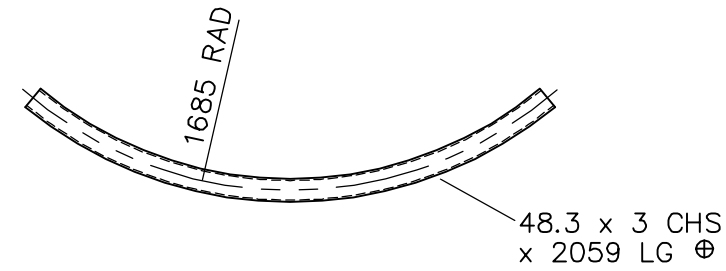
ONE No RAIL REQ'D AS DRAWN MK'D (CB37)



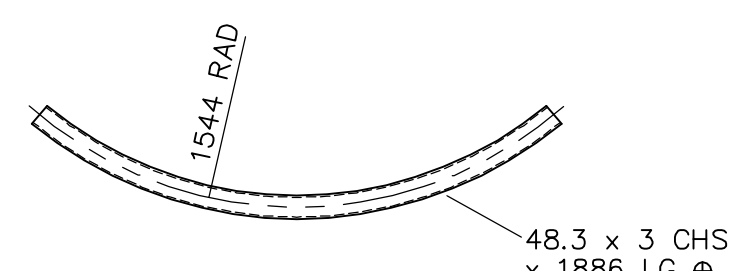
ONE No RAIL REQ'D AS DRAWN MK'D (CB38)



4 No RAILS REQ'D AS DRAWN MK'D (CB39)

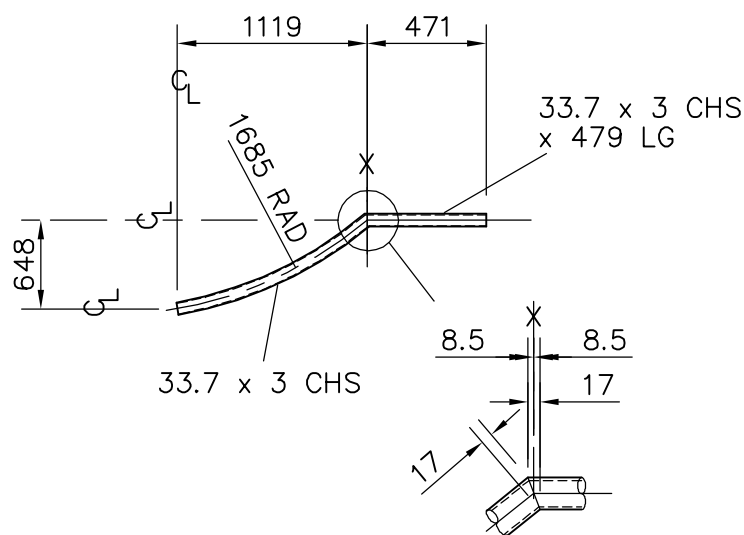


ONE No RAIL REQ'D AS DRAWN MK'D (CB40)

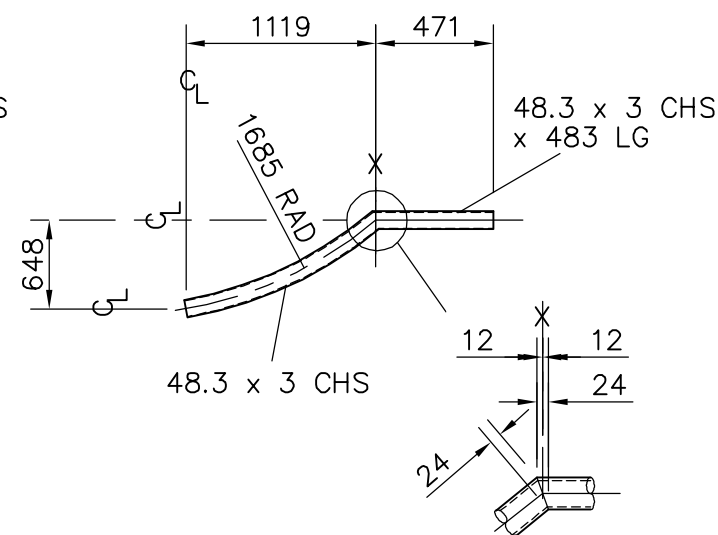


ONE No RAIL REQ'D AS DRAWN MK'D (CB41)

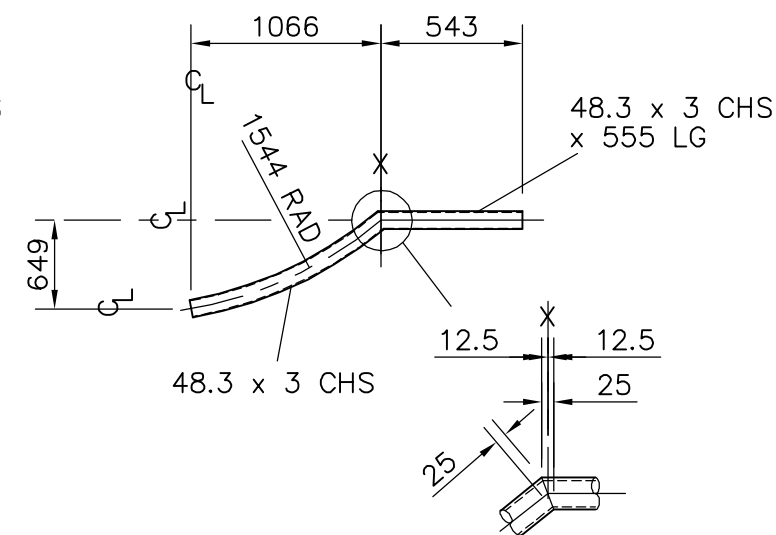
DIMENSIONS NOTED THUS ⊕ MEASURED ON CENTERLINE OF CHS



4 No RAILS REQ'D AS DRAWN MK'D (CB42)



ONE No RAIL REQ'D AS DRAWN MK'D (CB43)



ONE No RAIL REQ'D AS DRAWN MK'D (CB44)

REV	DATE	DESCRIPTION
PROJECT TITLE		
DRAWING TITLE		
HANDRAILING DETAILS		
SCALE	DATE	DRAWN
N.T.S.	OCT '08	A.T.S.
JOB No	DRAWING No	REV
C0049	D-207	-

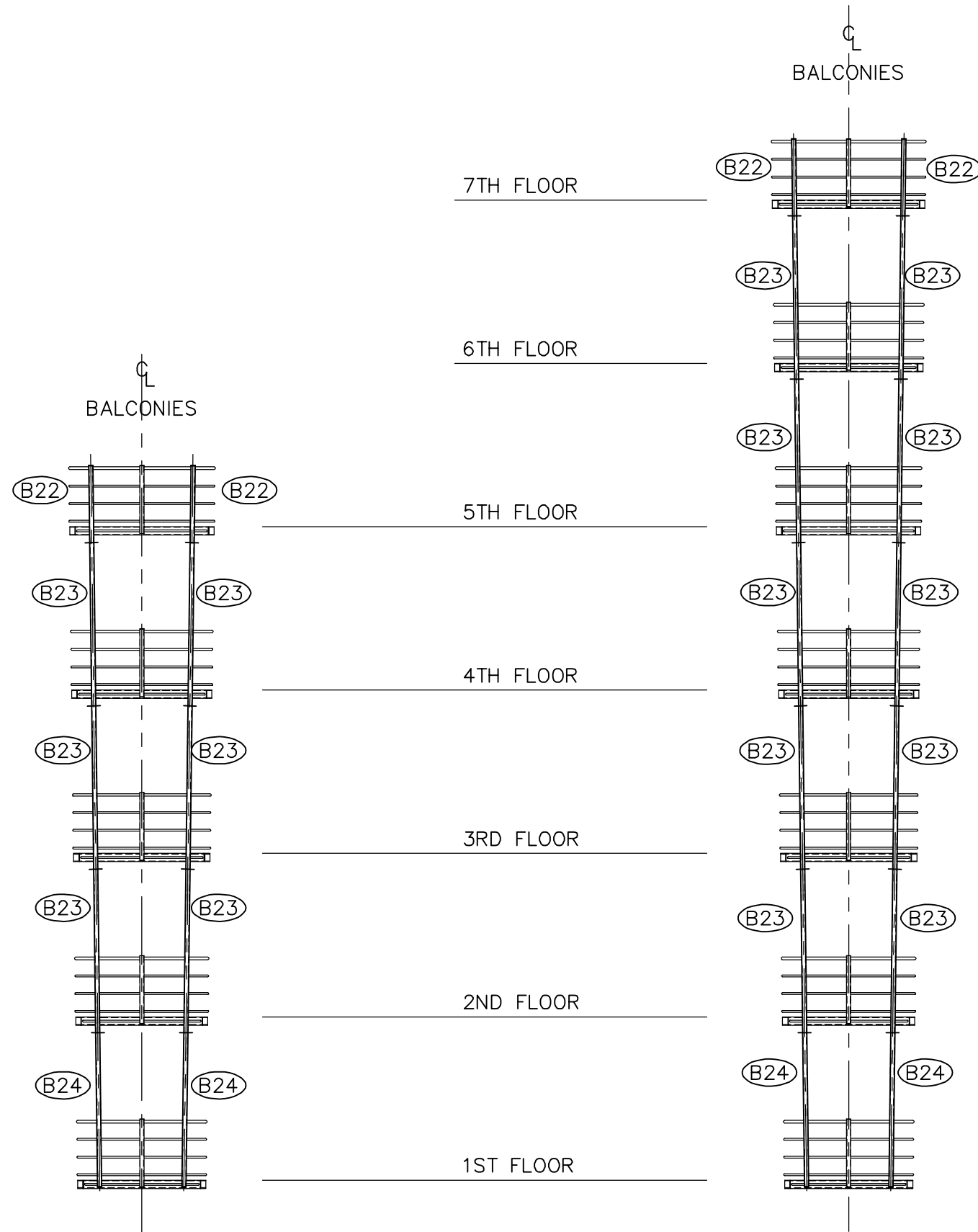
THIS DRAWING IS THE PROPERTY OF [REDACTED]  
 AND MAY NOT BE COPIED WITHOUT THEIR CONSENT

GENERAL NOTES:

ALL STEEL GRD 43A UNO

ALL WELDS TO BE 6 MM FW CONT UNO

ALL PAINTING AS PER CONTRACT SPEC



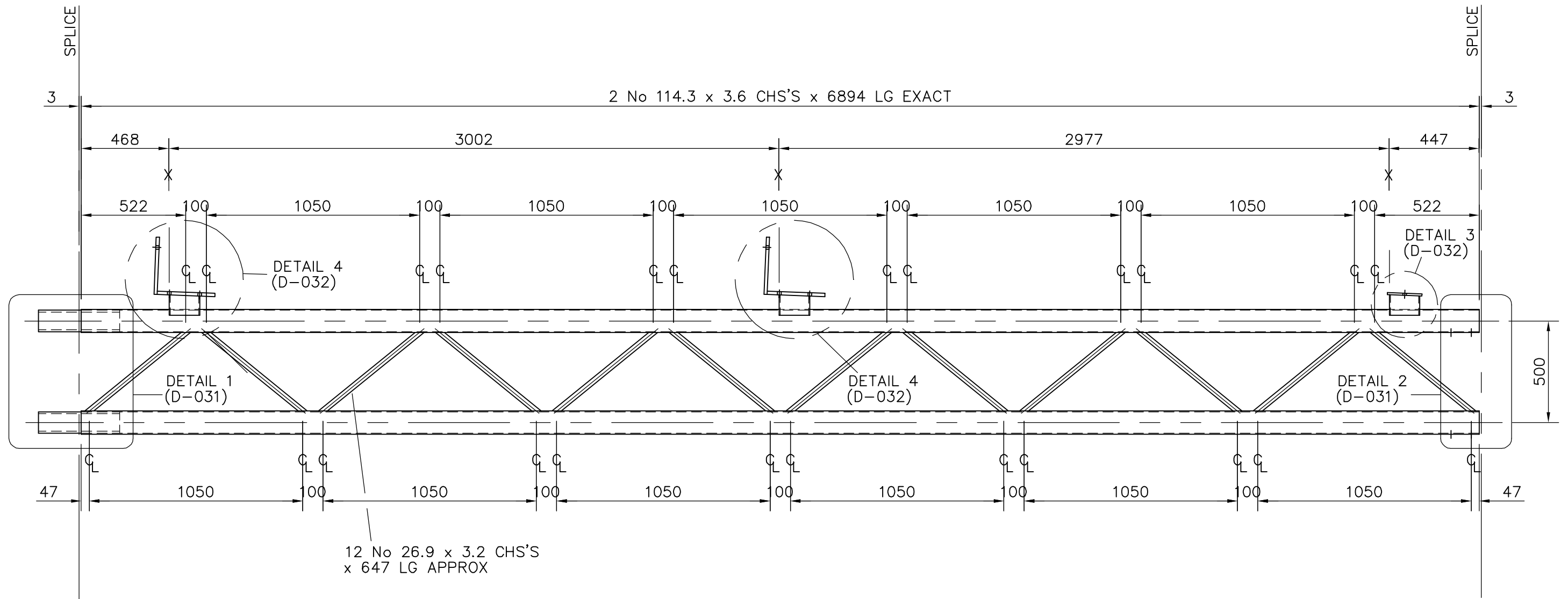
[REDACTED] - 2 No LOCATIONS  
 [REDACTED] ONE No LOCATION

[REDACTED] - 2 No LOCATIONS

DETAIL DRAWINGS	
PEICEMARK	DETAIL DRG No
B22	D-113
B23	D-113
B24	D-113

REV	DATE	DESCRIPTION
PROJECT TITLE		
[REDACTED]		
DRAWING TITLE		
CHS FEATURES ARR'G'T		
SCALE	DATE	DRAWN
N.T.S.	AUG '08	A.T.S.
JOB No	DRAWING No	REV
C0049	G-112	-

THIS DRAWING IS THE PROPERTY OF [REDACTED]  
 AND MAY NOT BE COPIED WITHOUT THEIR CONSENT

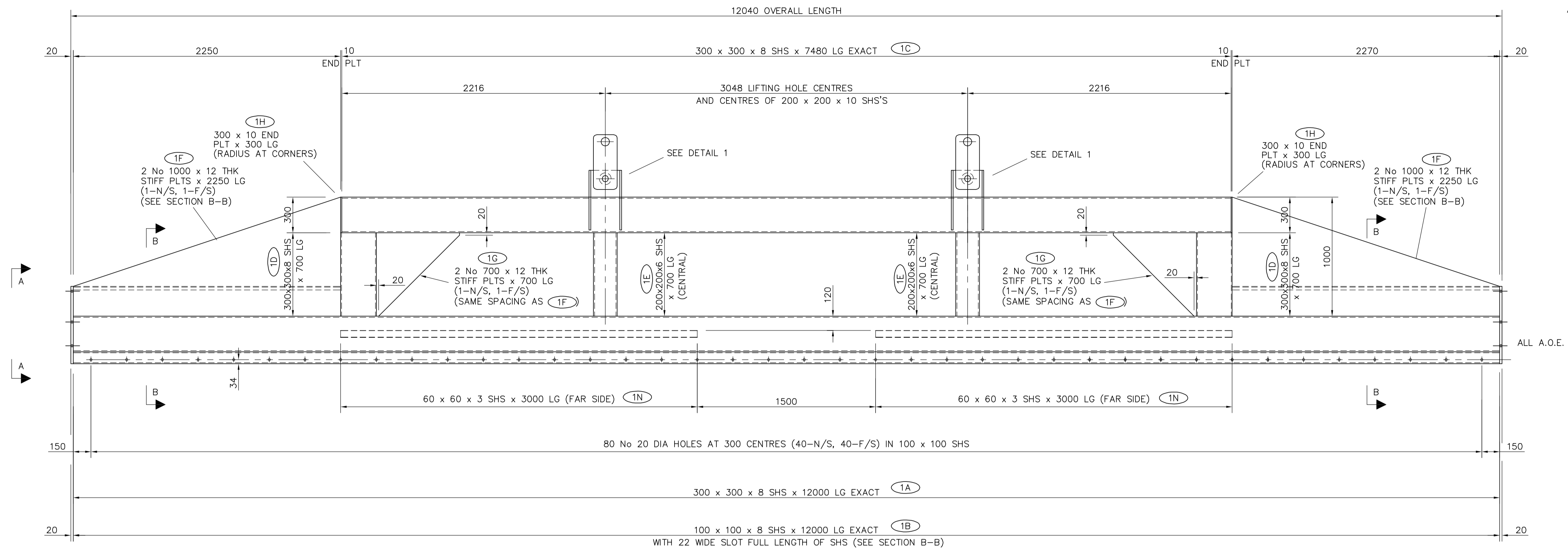


3 No TRUSSES REQUIRED AS DRAWN MK'D (DS7)

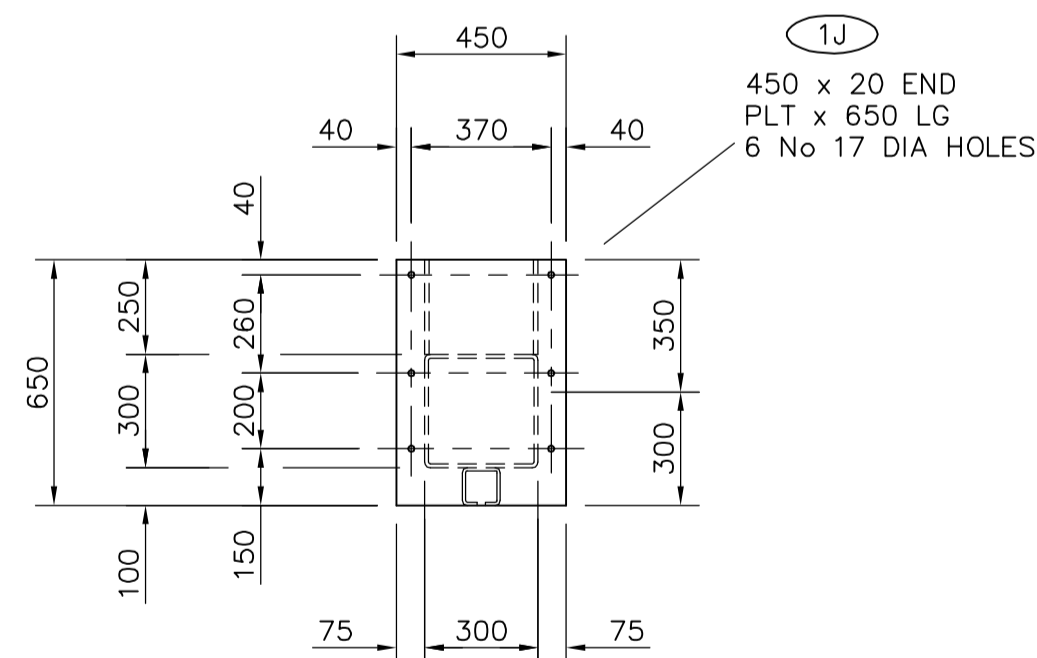
GENERAL NOTES:

- ALL STEEL GRD 43A UNO
- ALL HLS TO BE 18 DIA FOR M16 GRD 8.8 BOLTS UNO
- ALL WELDS TO BE 6 MM FW CONT UNO
- ALL PAINTING AS PER CONTRACT SPEC

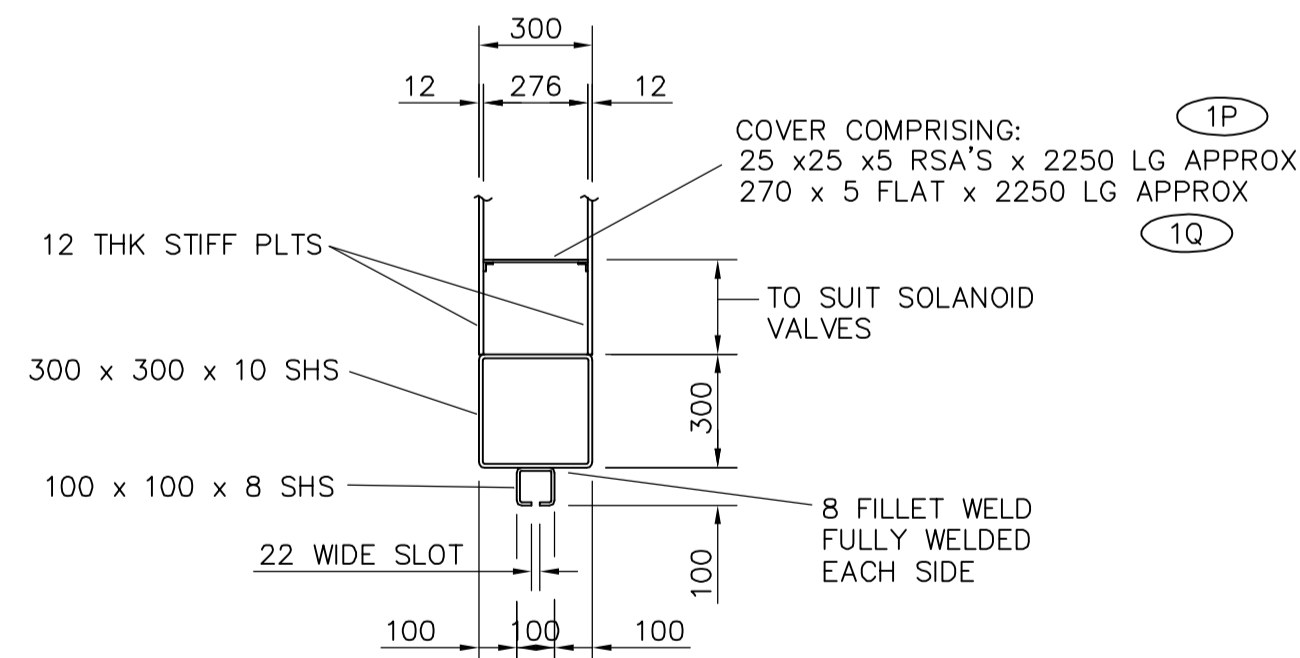
REV	DATE	DESCRIPTION
PROJECT TITLE		
DRAWING TITLE		
CIRCULAR ROOF GLs 1-2, E-F SUPPORTS DETAILS		
SCALE	DATE	DRAWN
N.T.S.	AUG '08	A.T.S.
JOB No	DRAWING No	REV
C0049	D-027	-



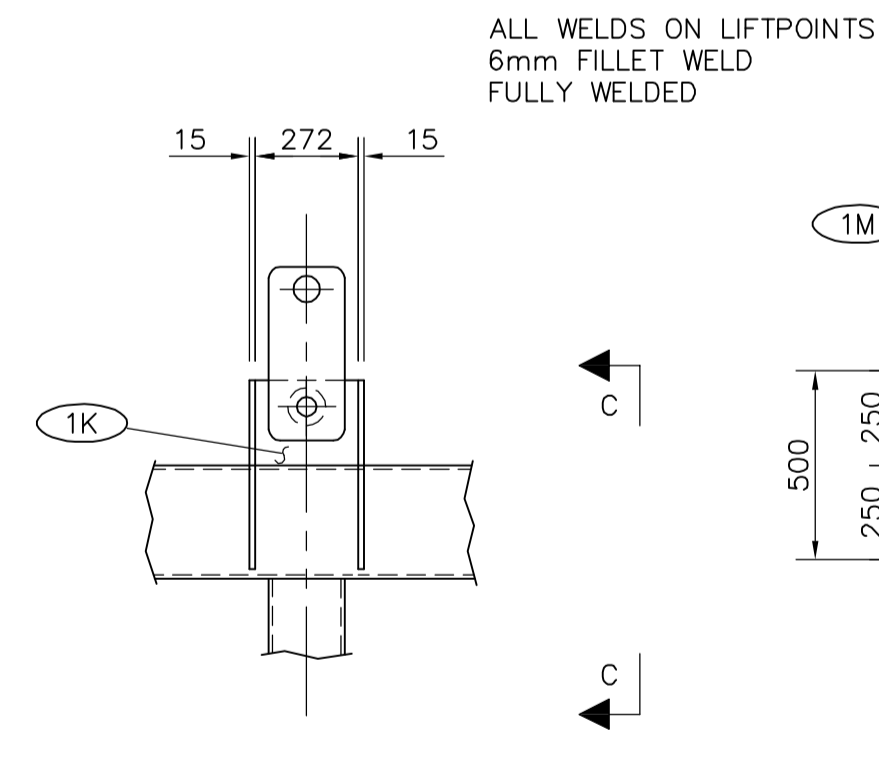
ONE No MAIN BEAM REQ'D AS DRAWN MK'D (1)



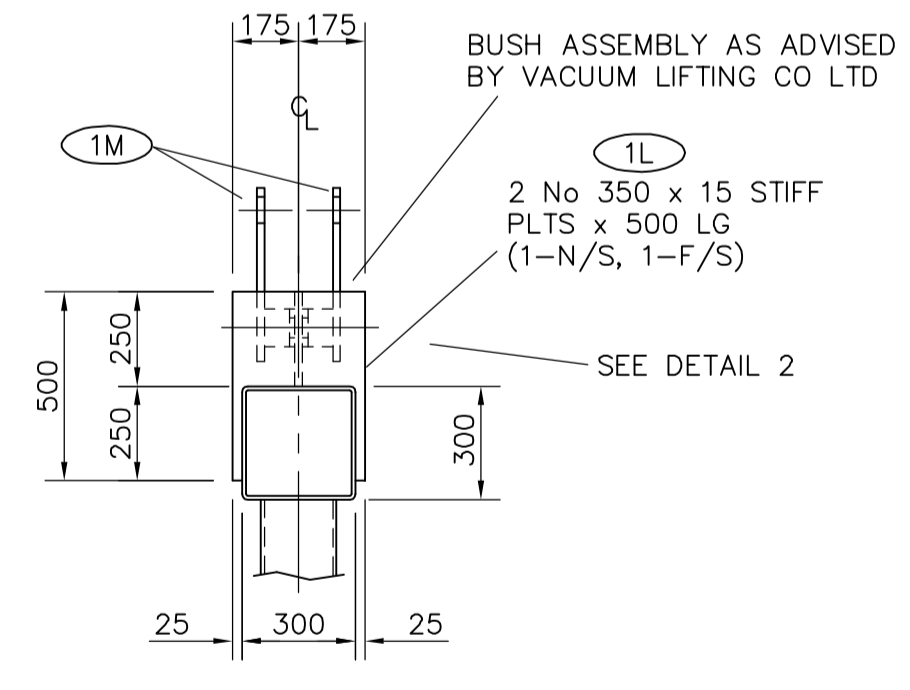
VIEW ON A-A



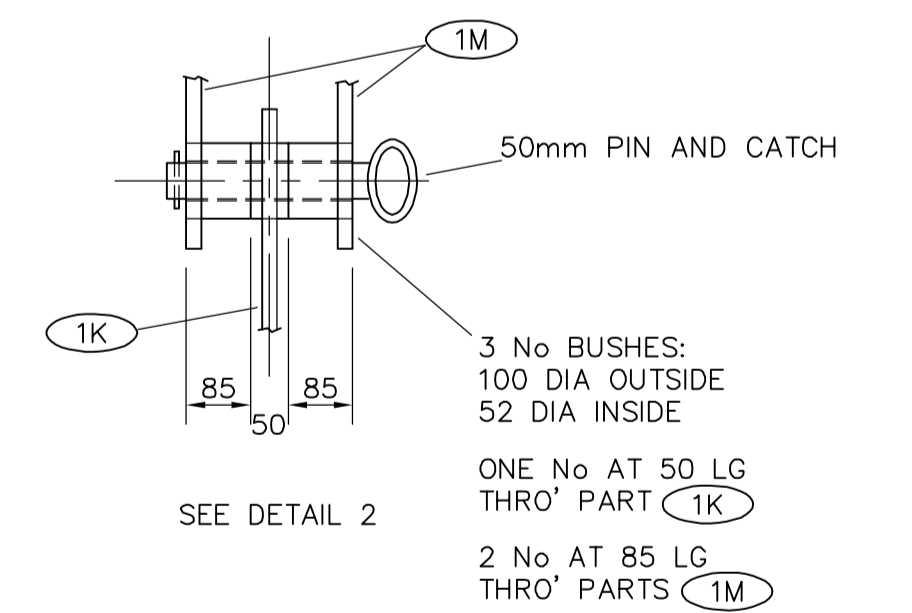
SECTION B-B



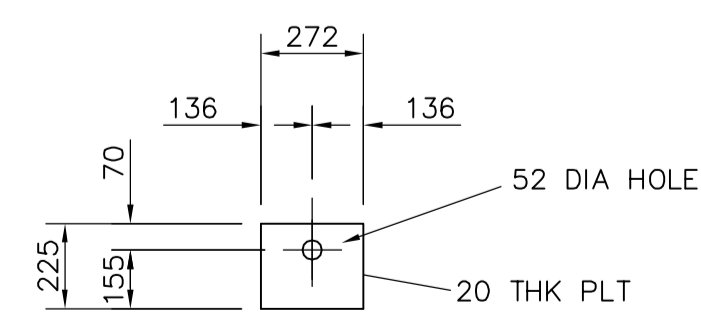
DETAIL 1



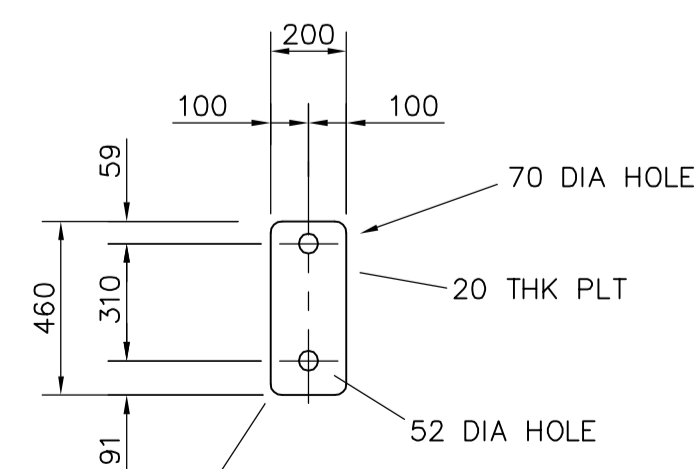
VIEW ON C-C



SEE DETAIL 2



DETAIL OF PLT (1K)  
2 No OFF REQ'D IN TOTAL



DETAIL OF PLT (1M)  
4 No OFF REQ'D IN TOTAL

REV	DATE	DESCRIPTION
PROJECT TITLE		
DRAWING TITLE MAIN BEAM DETAILS		
SCALES NTS	DATE JAN '11	DRAWN A.T.S.
JOB No 1241	DRAWING No D-001	REV -